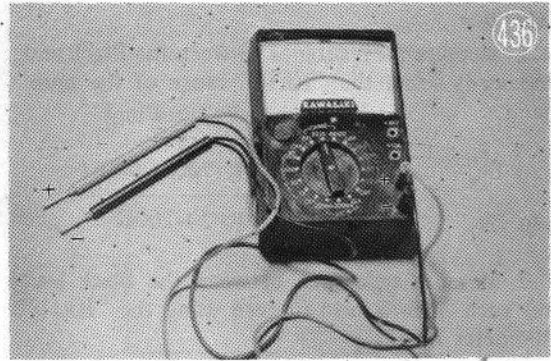


NOTE:

1. In the following tests using an ohmmeter, some meters will have to be connected in reverse to obtain the correct readings.

2. "+" and "-" indicate the positive and negative meter leads, respectively.

3. All resistance measurements where an ohms (Ω) value is indicated are approximate. This is especially in the case of the Ignition Rectifier Unit and the Regulator, the resistance reading varies with each unit and also varies with different ohmmeters.



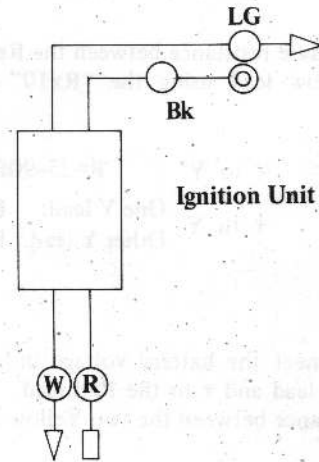
Ignition Unit

1. Check resistance between the Black and Light Green wires using the "Rx10" range of the ohmmeter.

- + to Bk, - to LG R=infinity (no reading)
- to Bk, + to LG R=infinity

2. Check resistance between the Light Green and Red wires using the "Rx100" range of the ohmmeter.

- + to LG, - to R For either measurement the meter needle should jump and then return to infinity (no reading).
- to LG, + to R



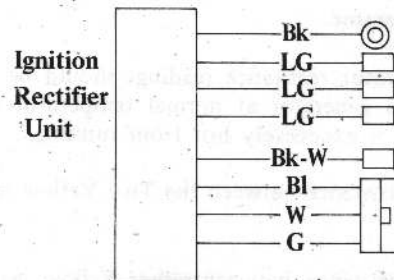
Ignition Rectifier Unit

1. Measure resistance between the Black-White lead and the Blue, White and Green leads, one at a time, using the "Rx10" ohmmeter range.

- + to Bk-W, - to B1 R=20-35 Ω
- to Bk-W, + to B1 R=20-35 Ω
- to Bk-W, + to W R=70-250 Ω
- to Bk-W, + to B1 R=infinity, all three readings
- to Bk-W, + to G
- to Bk-W, + to W

2. Measure the resistance between the Black-White lead and each Light-Green wire in turn, using the "Rx10" ohmmeter range.

- + to Bk-W, - to LG R=infinity (no reading)
- to Bk-W, + to LG R=25-250 Ω



437

438