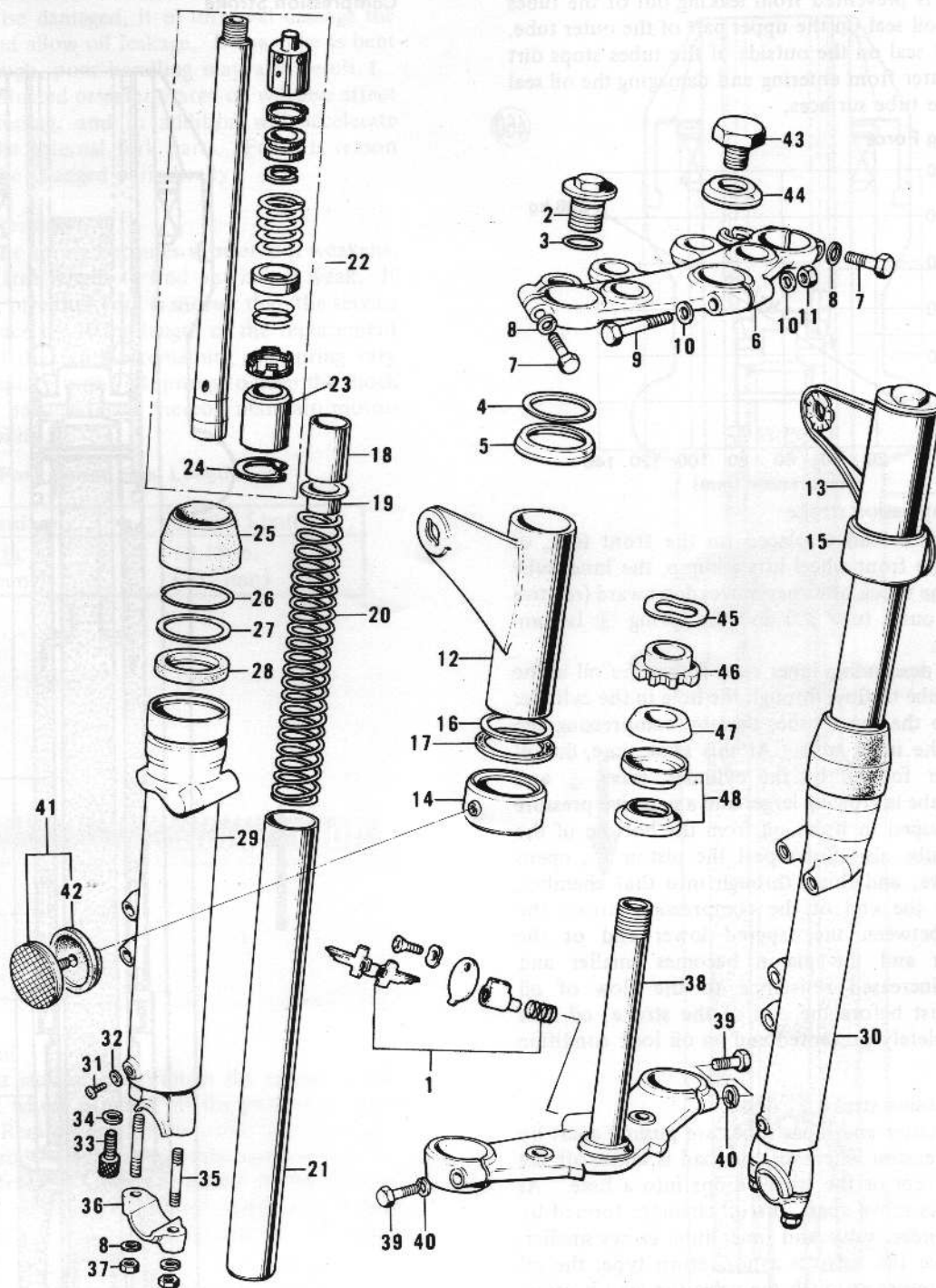


## Front Fork



- |                         |                       |                 |                    |
|-------------------------|-----------------------|-----------------|--------------------|
| 1. Lock Ass'y           | 13. Headlight Stay    | 25. Dust Seal   | 37. Nut            |
| 2. Top Bolt             | 14. Stay Guide        | 26. Circlip     | 38. Steering Stem  |
| 3. O Ring               | 15. Stay Guide        | 27. Washer      | 39. Clamp Bolt     |
| 4. Gasket               | 16. Washer            | 28. Oil Seal    | 40. Lock Washer    |
| 5. Washer               | 17. Gasket            | 29. Outer Tube  | 41. Reflector      |
| 6. Stem Head            | 18. Spacer            | 30. Outer Tube  | 42. Dumper Rubber  |
| 7. Clamp Bolt           | 19. Spring Guide      | 31. Drain Plug  | 43. Stem Head Bolt |
| 8. Lock Washer          | 20. Spring            | 32. Gasket      | 44. Washer         |
| 9. Stem Head Clamp Bolt | 21. Inner Tube        | 33. Allen Bolt  | 45. Washer         |
| 10. Lock Washer         | 22. Cylinder Assembly | 34. Lock Washer | 46. Stem Lock Nut  |
| 11. Nut                 | 23. Piston            | 35. Stud        | 47. Stem Cap       |
| 12. Headlight Stay      | 24. Circlip           | 36. Axle        | 48. Bearing Race   |