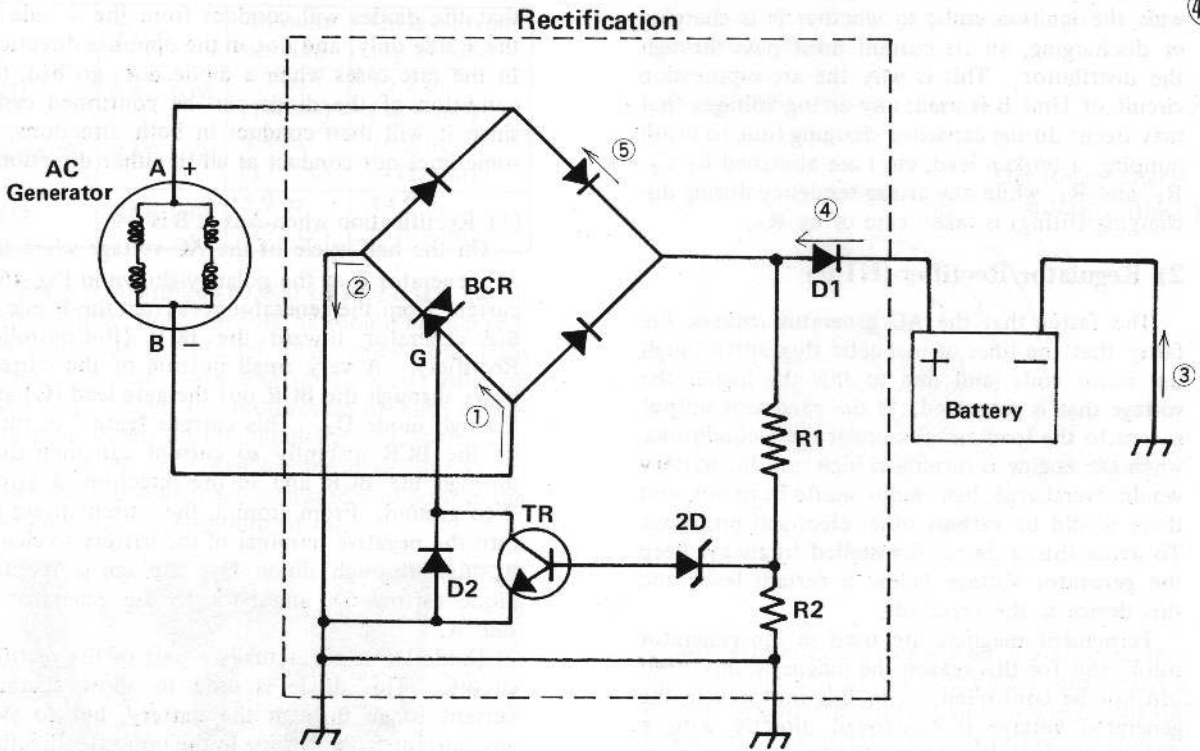
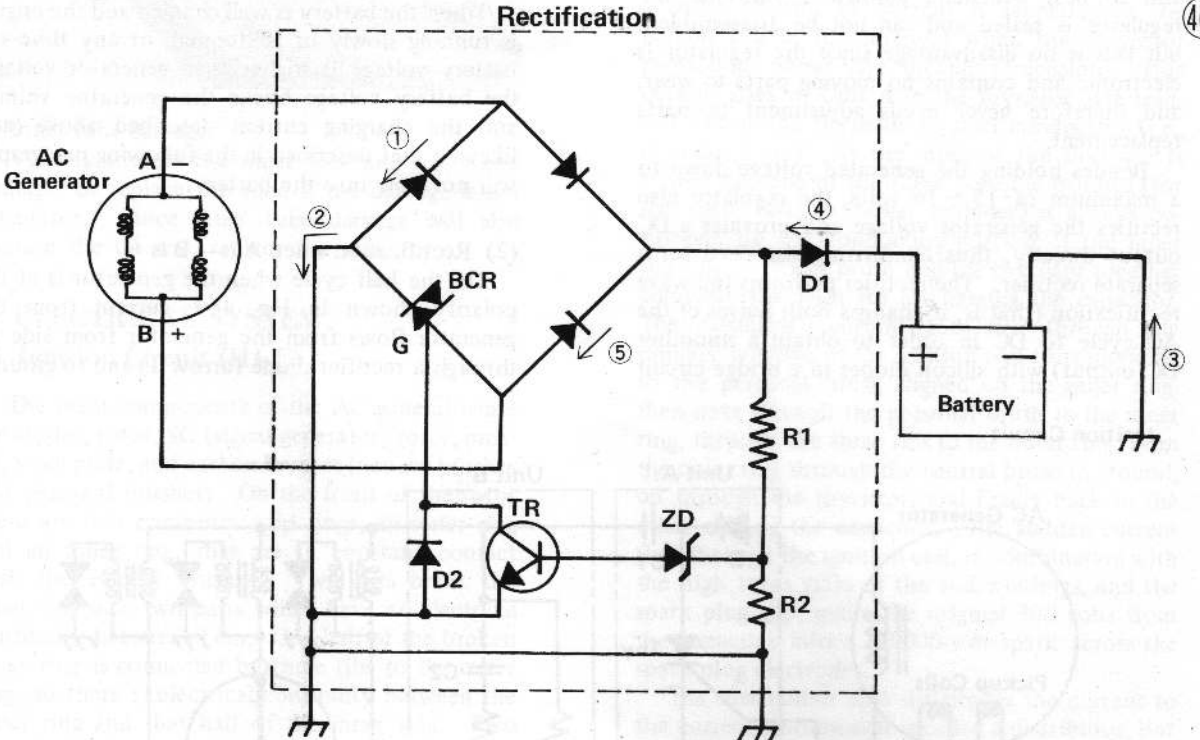


Rectification



468

Rectification



469

From ground, the current flows up into the negative side of the battery to charge it, through diode D_1 and the rectifier diode (arrow 5), and back into the generator on side B.

(3) Regulation

In either of the cases of rectification explained above, there is also another path for current in the regulator, and this is through R_2 and R_1 . This is a very small current, but it serves to always keep a representative portion of the generator voltage at the cathode of the Zener diode (ZD).