

## 12. TRANSMISSION

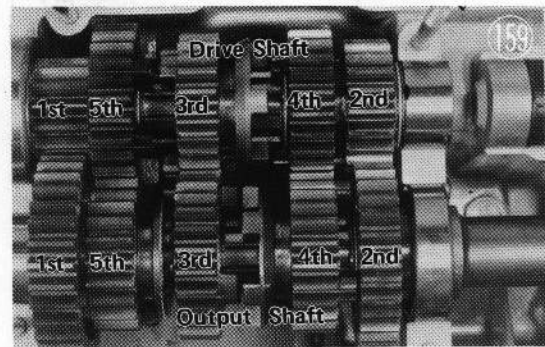
In order to use engine power effectively, the transmission allows selection of the appropriate reduction ratio for the various riding conditions — starting out, accelerating, decelerating, climbing, etc.

### 1) Operation

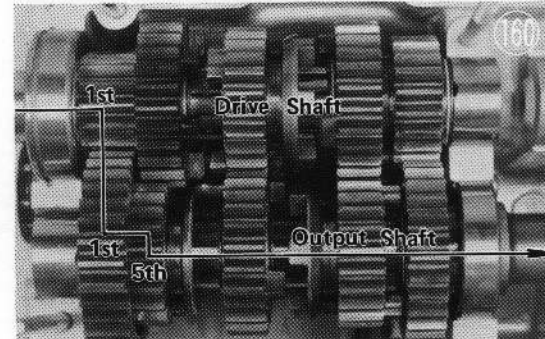
The diagrams below show the 5-speed, constant-mesh, return change type transmission of the H Series.

Each selector fork is kept in its groove on the gear shift drum by a guide pin. The other ends of the three forks sit astride output shaft 4th gear, drive shaft 3rd gear, and output shaft 5th gear, respectively. As the shift drum turns, the selector forks follow their slots, moving to the right and left and sliding the gears into different meshing arrangements.

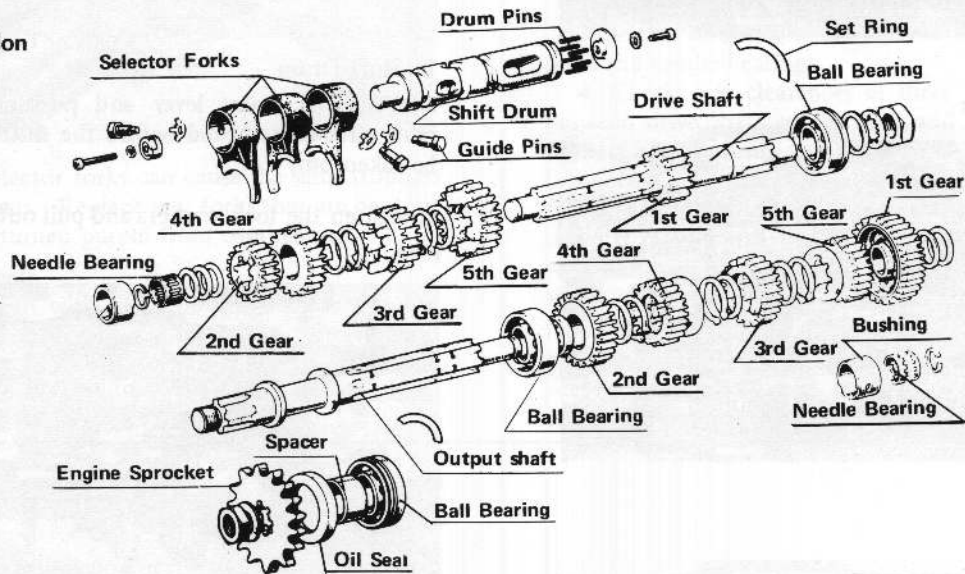
Neutral



First Gear

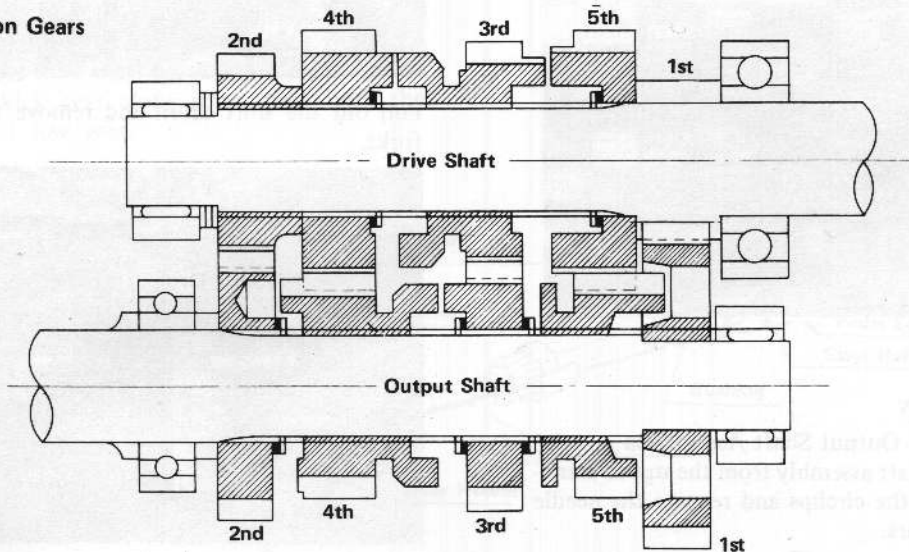


Transmission



161

Transmission Gears



162