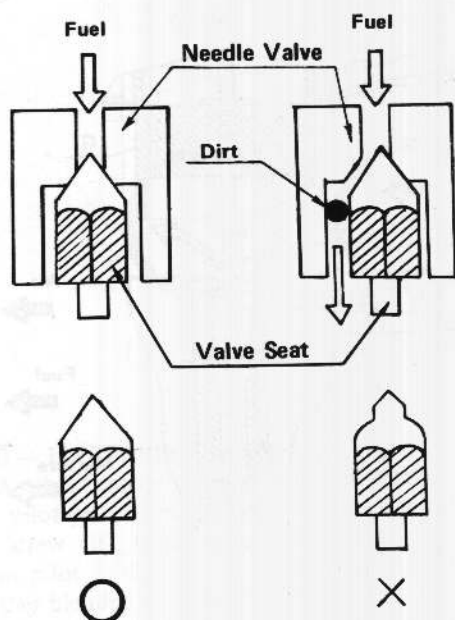


Needle and Seat

203



Turn the fuel tap off, and remove the carburetor from the intake manifold with the fuel hose left in place. Remove the float bowl, and install the fuel level measurement device (special tool) in its place.

Keeping the carburetor vertical, hold the plastic tube against the carburetor body, turn on the fuel tap, and read the fuel level. The fuel level in the hose should come up to 0.08~0.16 in. (2~4 mm) below the edge of the carburetor body. If the fuel level is incorrect, remove the special tool and the float (pull out the pivot pin to drop out the float, and catch the needle as it falls). Bend the tang on the float a very slight amount to change the fuel level. Bending it up closes the valve sooner and lowers the fuel level; bending it down raises the fuel level.

Fuel Level Measurement

189

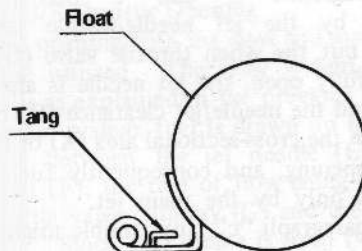
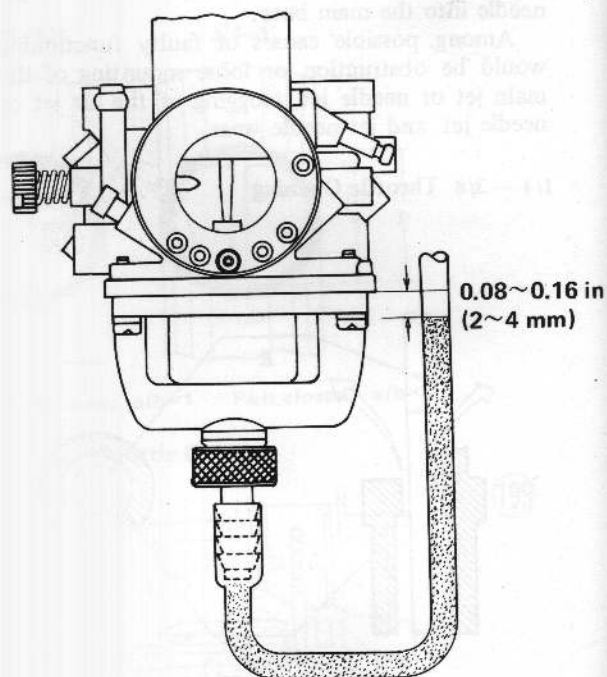


Table 21 Carburetor Specifications

Model	Type	Main Jet	Air Jet	Needle Jet	Jet Needle	Pilot Jet	Cut-Away	Air Screw	Fuel Level
old CDI H1	VM28sc	100	0.5	0-2	5GL3-3	30	3.0	1¼ turns out	30±1 mm (1.18±0.04 in)
old H1 without CDI	VM28sc	90	0.5	0-2	5EH7-3	30	2.5	1½ turns out	30±1 mm (1.18±0.04 in)
H1-B	VM28sc	95	0.5	0-4/8 *0-4	5DJ19-4	30	2.0 *2.5	1½ turns *1¼ out	30±1 mm (1.18±0.04 in)
H1-C	VM28sc	100	0.5	0-2	5GL3-3	30	3.0	1¼ turns out	30±1 mm (1.18±0.04 in)
H1-D/H1-E	VM28sc	92.5	0.5	0-4/8	5DJ19-4	30	2.5	1¼ turns out	30±1 mm (1.18±0.04 in)
H2/H2-A	VM30sc	97.5	0.5	0-6/8	5EJ15-3	35	2.5	1½ turns out	30±1 mm (1.18±0.04 in)
H2-B	VM30sc	102.5	0.5	0-6/8	5EJ15-4	40	2.5	1¼ turns out	30±1 mm (1.18±0.04 in)

*European model