

## IV. Frame

### 1. FRAME

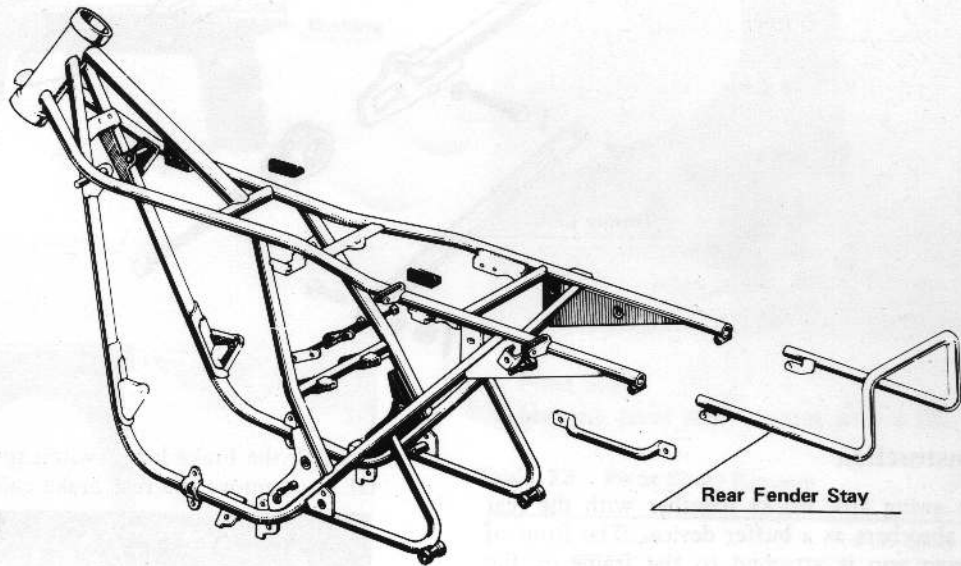
#### 1) Construction

Two types of frames are generally used in motorcycle manufacture, the pipe frame and the pressed steel frame. In the H Series machines,

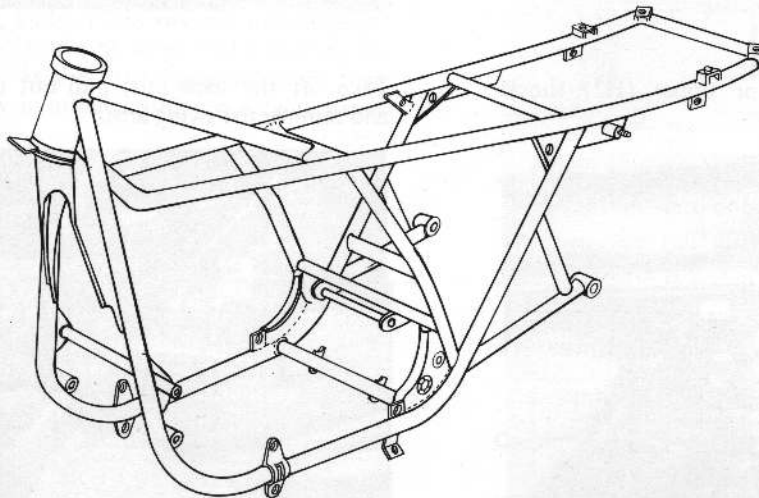
a rigid, light-weight double cradle pipe frame is used.

In the H1 the brake pedal shaft extends through the frame out both sides so that the brake pedal can be located on either side according to the rider's preference. The gear shift pedal, of course, can also be relocated.

#### H1 Frame



#### H2 Frame



0.16 in  
(mm)

(205)

(206)