

MICRO-

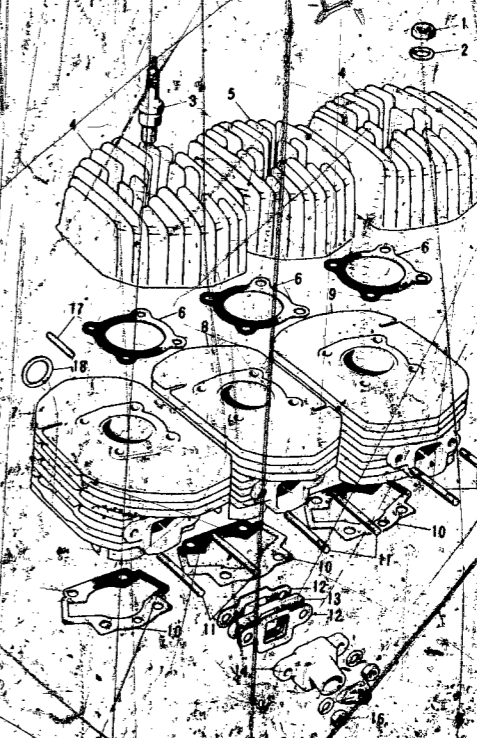
Kawasaki

350:S2 S2-A

THIS PARTS CATALOG LISTS REPLACEMENT PARTS
FOR THE 350 cc S2.

	<u>Beginning</u>	<u>Ending</u>
	Engine No.	Engine No.
1972 S2	S2E-003700	S2E 028225
1973 S2A	S2E 028226	S2E 044371
	Frame No.	Frame No.
1972 S2	S2F-003700	S2F-028630
1973 S2A	S2T-000001	S2T-015683
	Engine Assy.	Service Manual
	Part No.	Part No.
1972 S2	76362-010	99997-541
1973 S2A	76362-001	99997-541
	Owners Manual	A & P Manual
	Part No.	Part No.
1972 S2	99995-331	99995-225
1973 S2A	99997-537	99995-256

CYLINDER, CYLINDER HEAD



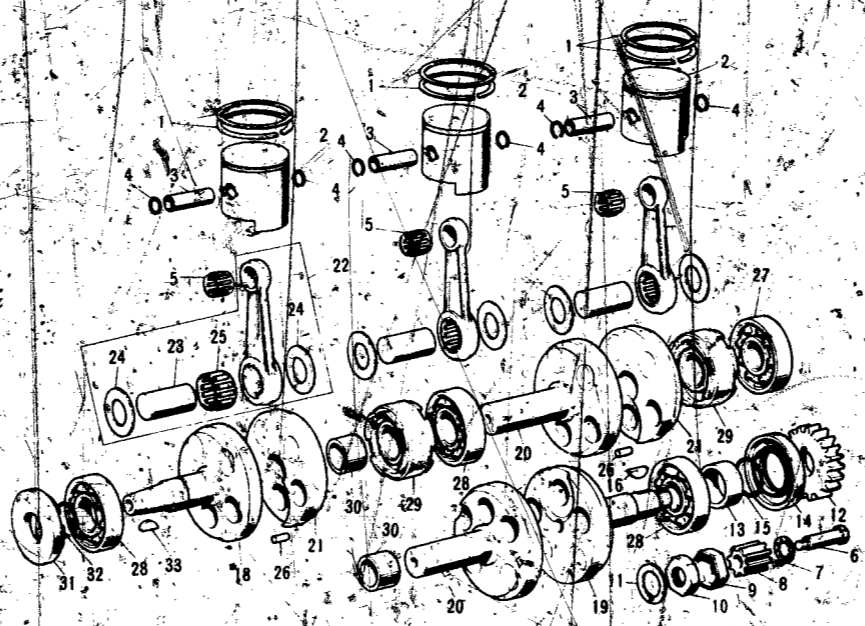
A4

CRANKCASE



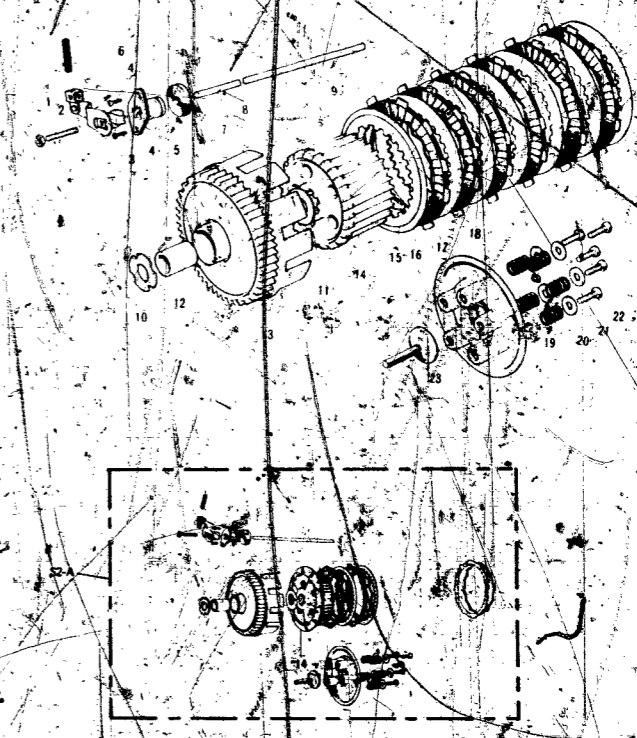
A5

PISTONS, CRANKSHAFT



A6

CLUTCH



A7

S2/S2A

A1

MICRO-