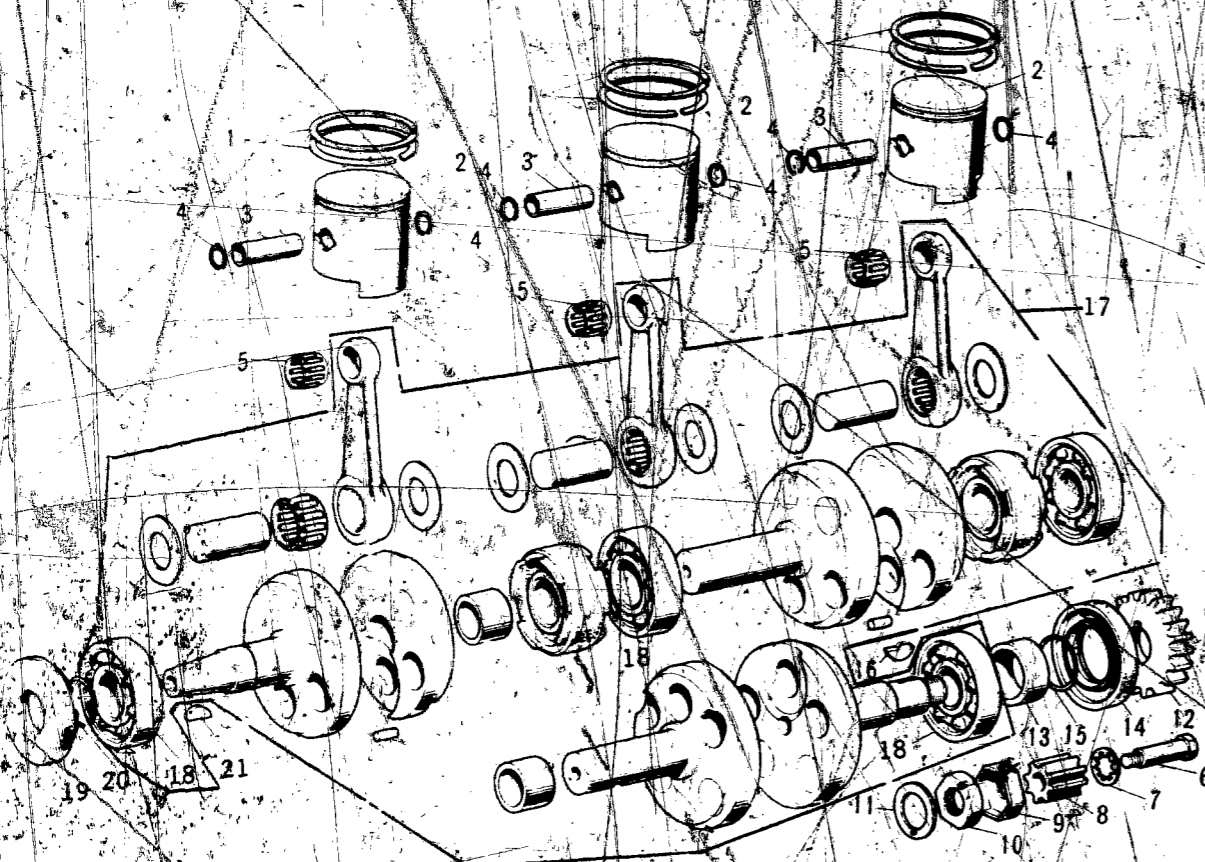


CRANKSHAFT



Ref. No.	Part No.	Part Name	Quantity	Remarks
1	13008-039	RING SET-piston, STD	3x3	
	13025-043	RING SET-piston, 0.020" over size	1x3	
	13024-047	RING SET-piston, 0.040" over size	1x3	
2	13001-043	PISTON, STD	1x3	
	13029-052	PISTON, 0.020" over size		
	13027-050	PISTON, 0.040" over size		
3	13002-002	PIN-piston	1x3	
4	92036-005	CIRCLIP-piston pin	2x3	
5	13033-007	NEEDLE BEARING-small end	1x3	
6	92003-068	BOLT-oil pump pinion	1	
7	463H0600	WASHER-lock, 6m/m	1	
8	16084-012	PINION-oil pump WHN EXH USE I6084-014	(1)	11T
	16084-014	PINION-oil pump	1	11T
9	92024-021	WASHER-lock	1	
10	92015-019	NUT, 18m/m	1	
11	92024-006	WASHER-lock, 18m/m	1	
12	13121-021	PINION-primary	1	27T
13	92027-031	COLLAR-crankshaft	1	
14	92050-023	OIL SEAL, TC325210	1	
15	92055-018	"O" RING, 18m/m	1	
16	92038-015	WOODRUFF KEY	1	
17	13031-040	CRANKSHAFT & CONNECTING ROD ASSY	1	
18	601B6305	BALL BEARING, #6305	3	
19	92050-041	OIL SEAL, TCY256210	1	
20	92036-013	CIRCLIP	1	
21	92038-001	WOODRUFF KEY	1	

CONTENTS

AIR CLEANER	B7
BRAKE DISC	E5
BRAKE DISC, EQUIPMENT	C7
CABLES	F4
CARBURETOR	C2
CLUTCH	A7
COVERS, ENGINE	B5
COVERS, SIDE	E7
CRANKCASE	A5
CRANKSHAFT	A6
CYLINDER, CYLINDER HEAD	A4
ELECTRICAL, ENGINE	B6
ELECTRICAL, WIRING	G3
FENDERS	D7
FOOTREST	C6
FORK, FRONT, S2	D4
FORK, FRONT, S2-A	D5, D6
FRAME	G4
GEAR CHANGE MECHANISM	B3
HANDLEBAR	D2, D3
HEADLAMP, METERS, S2	F5
HEADLAMP, METERS, S2-A	F6
HUB, FRONT, S2	E4
HUB, FRONT, S2-A	E5
HUB, REAR	E3
KICKSTARTER	B4
MUFFLER	B7
OIL PUMP	C3
OPTIONAL PARTS	G4
PISTON, RINGS	A6
SEAT, DUAL, S2	F2
SEAT, DUAL, S2-A	F3
SWINGARM	C5
TAIL LAMP, S2	F7
TAIL LAMP, S2-A	G2
TANK, FUEL	E6
TANK, OIL	E7
TOOLS	G4
TRANSMISSION	B2
TURN SIGNAL, S2	F7
TURN SIGNAL, S2-A	G2
WHEELS	E2