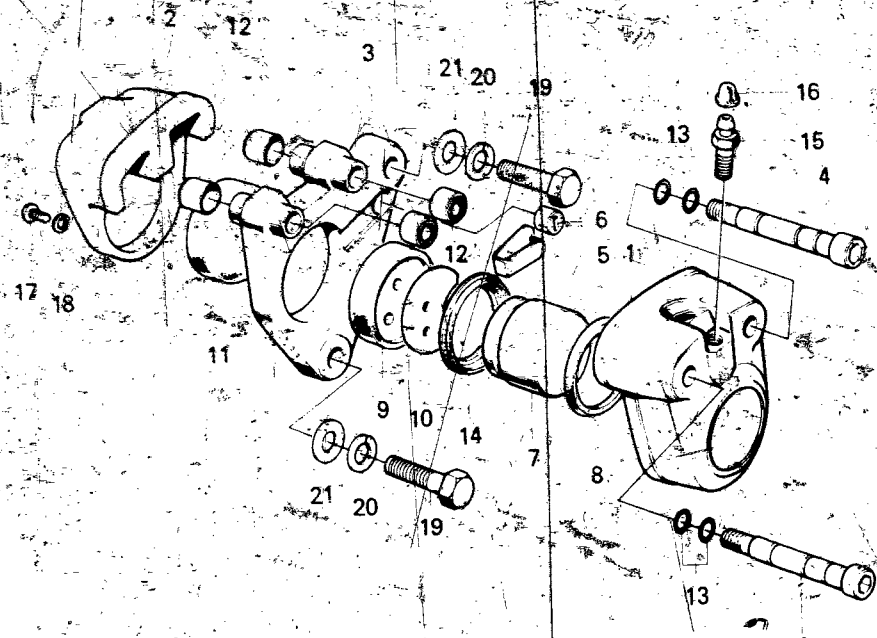
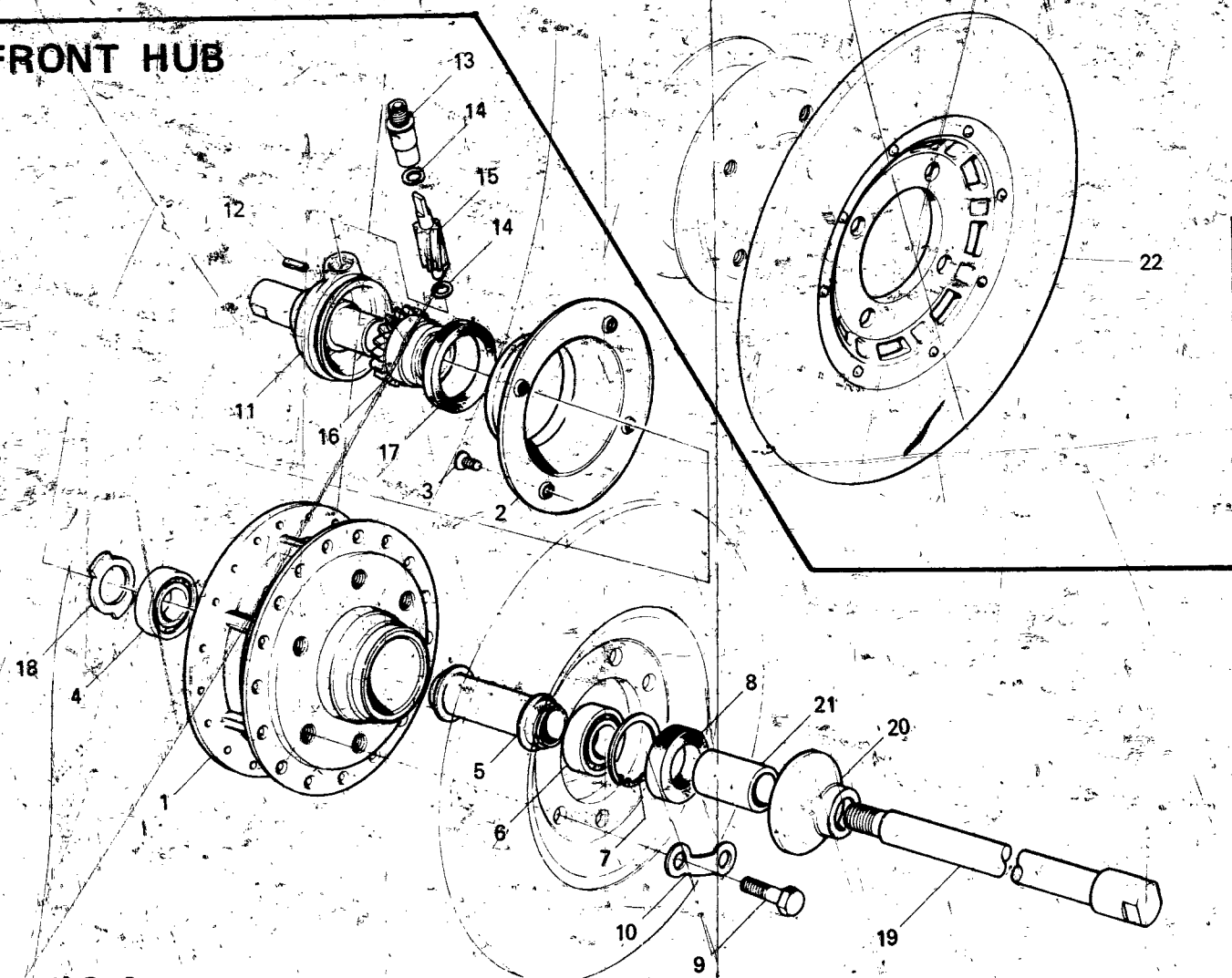


# DISC BRAKE CALIPER



## FRONT HUB



Ref. No.	Part No.	Part Name	Quantity	Remarks
1	43041-003	CALLIPER ASSY	1	
1	43042-003	CALLIPER A	1	
2	43043-002	CALLIPER B	1	
3	43044-003	HOLDER—calliper	1	
4	43045-002	SHAFT	2	
5	43046-001	STOPPER—pad	1	
6	43047-001	BUSHING—rubber	1	
7	43048-001	PISTON	1	
8, 12	42073-003	REPAIR SET—calliper	1	
8	43049-001	SEAL—piston	1	
9	43050-002	PAD A	1	
10	43076-001	SHIM	1	
11	43051-001	PAD B	1	
12	43062-002	DUST SHIELD—shaft	4	
13	43053-001	"O" RING	4	
14	43054-002	DUST SHIELD—rubber	1	
15	43056-002	BREEDER	1	
16	43057-002	CAP—breeder	1	
17	220B0612	SCREW—pan head, 6 x 12	1	
18	461F0600	WASHER—spring, 6 m/m	1	
19	92007-032	BOLT—hex head, 10 m/m	2	
20	461F1000	WASHER—spring, 10 m/m	2	
21	410B1000	WASHER—plain, 10 m/m	2	
22	41080-002	DISC COMPLETE	1	

Ref. No.	Part No.	Part Name	Quantity	Remarks
1	41034-024	DRUM ASSY—front brake	1	
2	41042-011	DUST COVER	1	
3	222E0308A	SCREW—pan head, 4 x 8	4	
4	601B6302Z	BEARING—ball, #6302Z	1	
5	41039-021	SPACER—front axle bearing	1	
6	601B6302	BEARING—ball, #6302	1	
7	481J4200	CIRCLIP, 42 m/m	1	
8	92052-005	OIL SEAL	1	
9	92001-104	BOLT—hex head, 8 x 28	4	
10	92088-016	WASHER—lock	2	
11	41078-002	GEAR BOX ASSY	1	
12	41082-001	SPRING PIN	1	
13	41062-005	BUSHING—speedometer cable	1	
14	41063-001	WASHER—thrust	2	
15	41060-013	PINION—speedometer	1	
16	41059-017	GEAR—speedometer	1	25T
17	92050-049	OIL SEAL	1	
18	41064-008	RECEIVER—gear	1	
19	41068-038	AXLE—front	1	
20	41042-012	DUST COVER	1	
21	41069-020	COLLAR—front axle	1	

# CONTENTS

AIR CLEANER	B7
BRAKE DISC	E5
BRAKE DISC, EQUIPMENT	C7
CABLES	F4
CARBURETOR	C2
CLUTCH	A7
COVERS, ENGINE	B5
COVERS, SIDE	E7
CRANKCASE	A5
CRANKSHAFT	A6
CYLINDER, CYLINDER HEAD	A4
ELECTRICAL, ENGINE	B6
ELECTRICAL, WIRING	G3
FENDERS	D7
FOOTREST	C6
FORK, FRONT, S2	D4
FORK, FRONT, S2-A	D5, D6
FRAME	C4
GEAR CHANGE MECHANISM	B3
HANDLEBAR	D2, D3
HEADLAMP, METERS, S2	F5
HEADLAMP, METERS, S2-A	F6
HUB, FRONT, S2	E4
HUB, FRONT, S2-A	E5
HUB, REAR	E3
KICKSTARTER	B4
MUFFLER	B7
OIL PUMP	C3
OPTIONAL PARTS	G4
PISTON, RINGS	A6
SEAT, DUAL, S2	F2
SEAT, DUAL, S2-A	F3
SWINGARM	C5
TAIL LAMP, S2	F7
TAIL LAMP, S2-A	G2
TANK, FUEL	E6
TANK, OIL	E7
TOOLS	G4
TRANSMISSION	B2
TURN SIGNAL, S2	F7
TURN SIGNAL, S2-A	G2
WHEELS	E2

S2-A