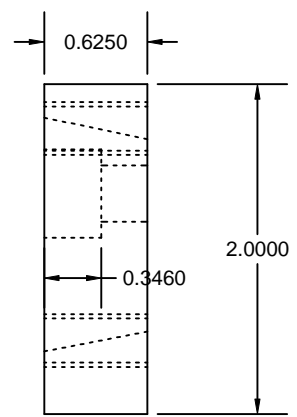
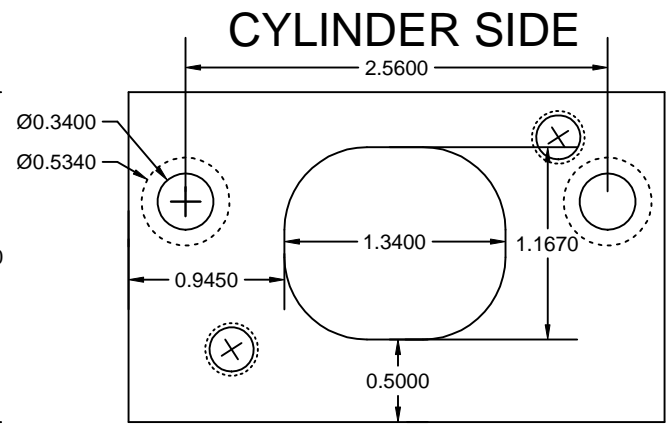
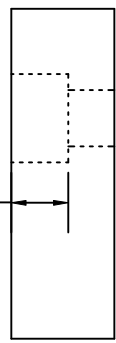


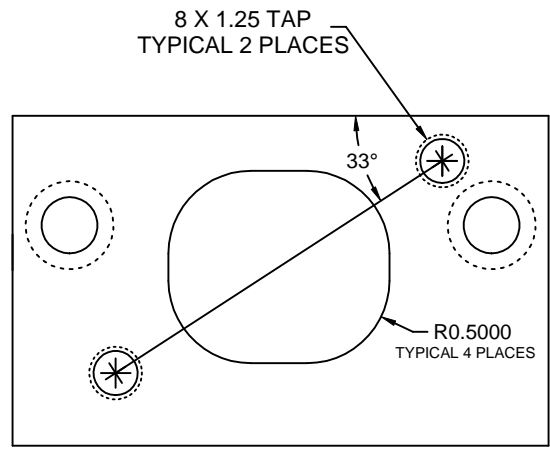
CARB SIDE



COUNTER BORED
HOLES ARE 0.3460
DEEP



CYLINDER SIDE



CYLINDER SIDE