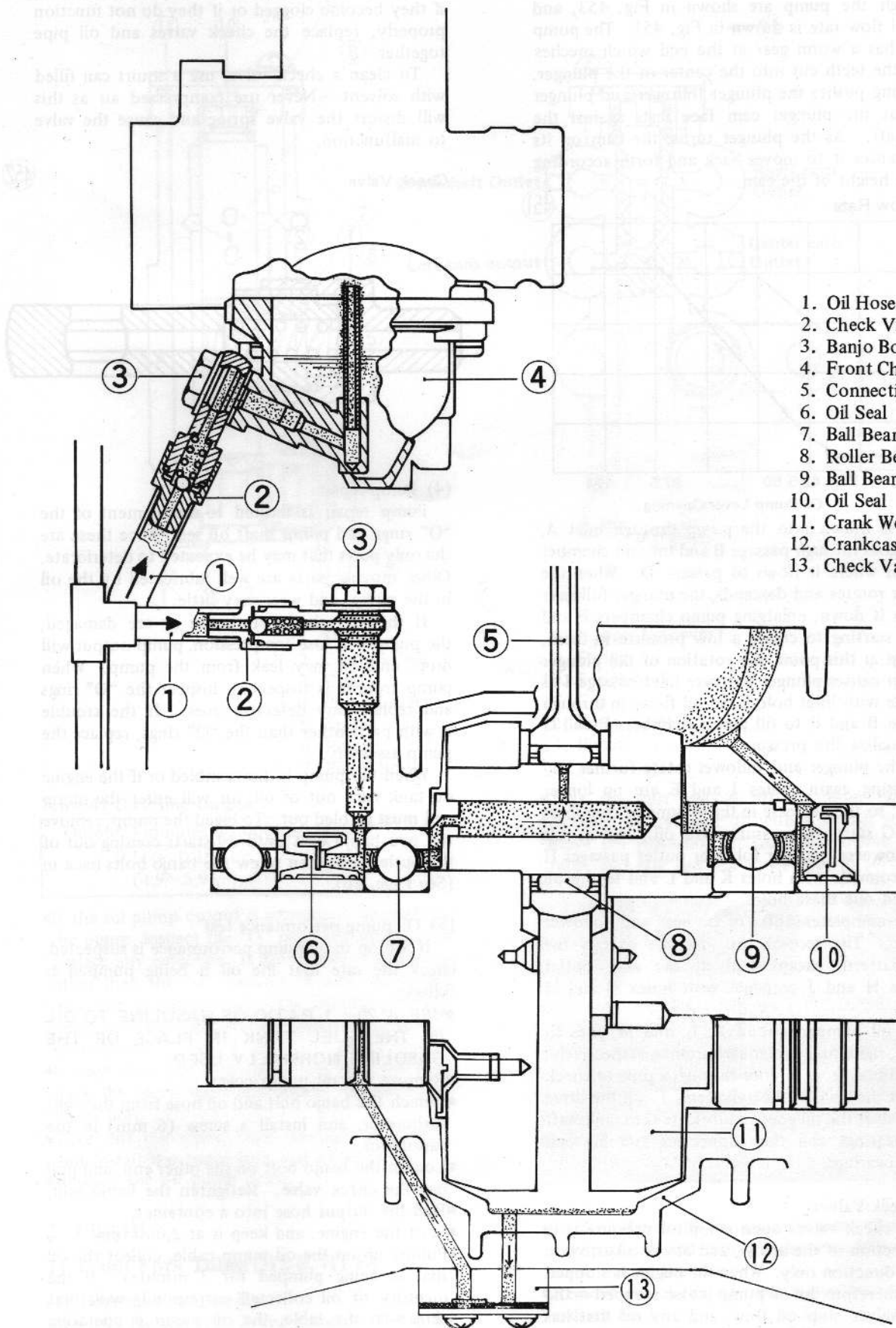


Oil Passage

450



1. Oil Hose
2. Check Valve
3. Banjo Bolt
4. Front Chamber
5. Connecting Rod
6. Oil Seal
7. Ball Bearing
8. Roller Bearing
9. Ball Bearing
10. Oil Seal
11. Crank Web
12. Crankcase
13. Check Valve