

(2) Check push rods A and B, and depending on the extent of any damage, correct it or replace the rods. Check the adjustment screw for wear; when there is no more room for adjustment, the clutch will fail to disengage.

5) Assembly

This is the reverse of disassembly.

NOTE: Assemble the inner and outer release gears and then mount them in the crankcase, being careful of the release lever angle. If the outer release gear is mounted in the crankcase beforehand, the inner release gear cannot be fitted into it. Also take ample care to tighten the two mounting screws evenly.

On the H2, be sure to insert the steel ball into the drive shaft before replacing the spring plate pusher.

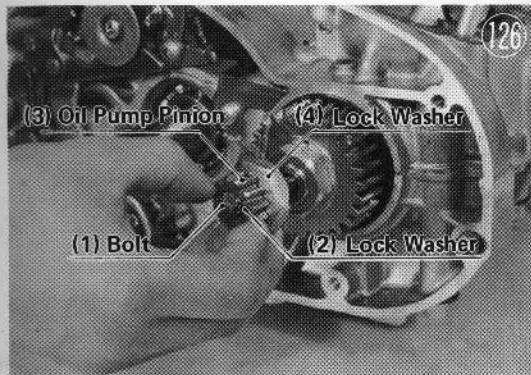
When mounting the H2 spring plate into the clutch hub, point the arrow on the spring plate to the mark on the clutch hub.

8. PRIMARY GEAR

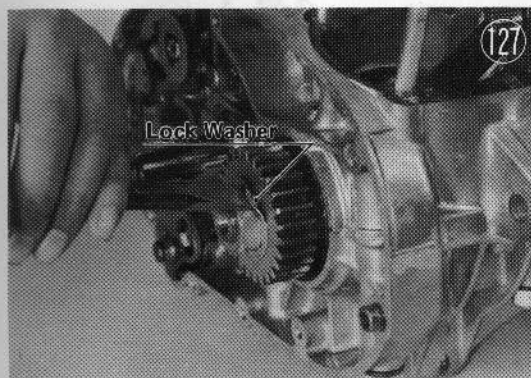
The primary gear is mounted on the left end of the crankshaft, and together with the clutch housing gear, performs the primary reduction.

1) Disassembly

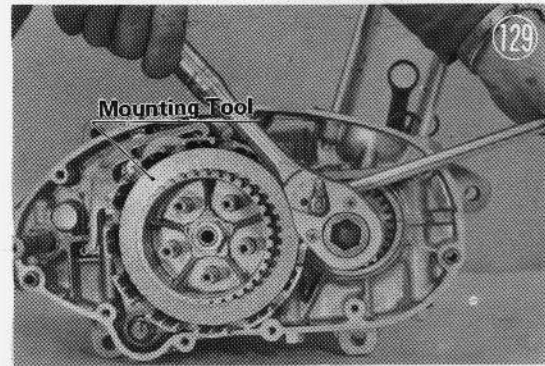
Remove the mounting bolt and lock washer, and take off the oil pump pinion and lock washer.



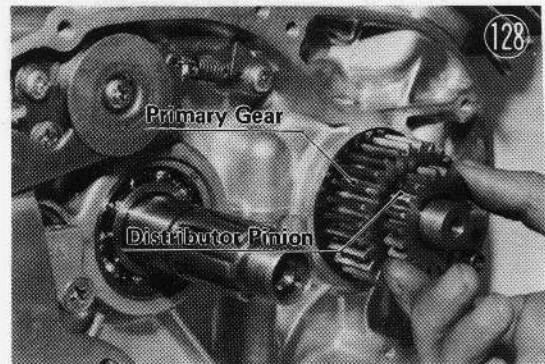
Straighten out the lock washer.



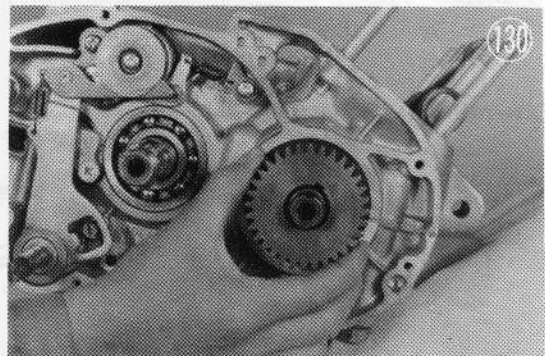
Temporarily mount the clutch housing and clutch hub, and holding the crankshaft stationary with a clutch hub mounting tool (special tool), remove the nut.



Remove the lock washer, distributor pinion and primary gear. (H1)



Remove the lock washer and primary gear. (H2)



Remove the key.

