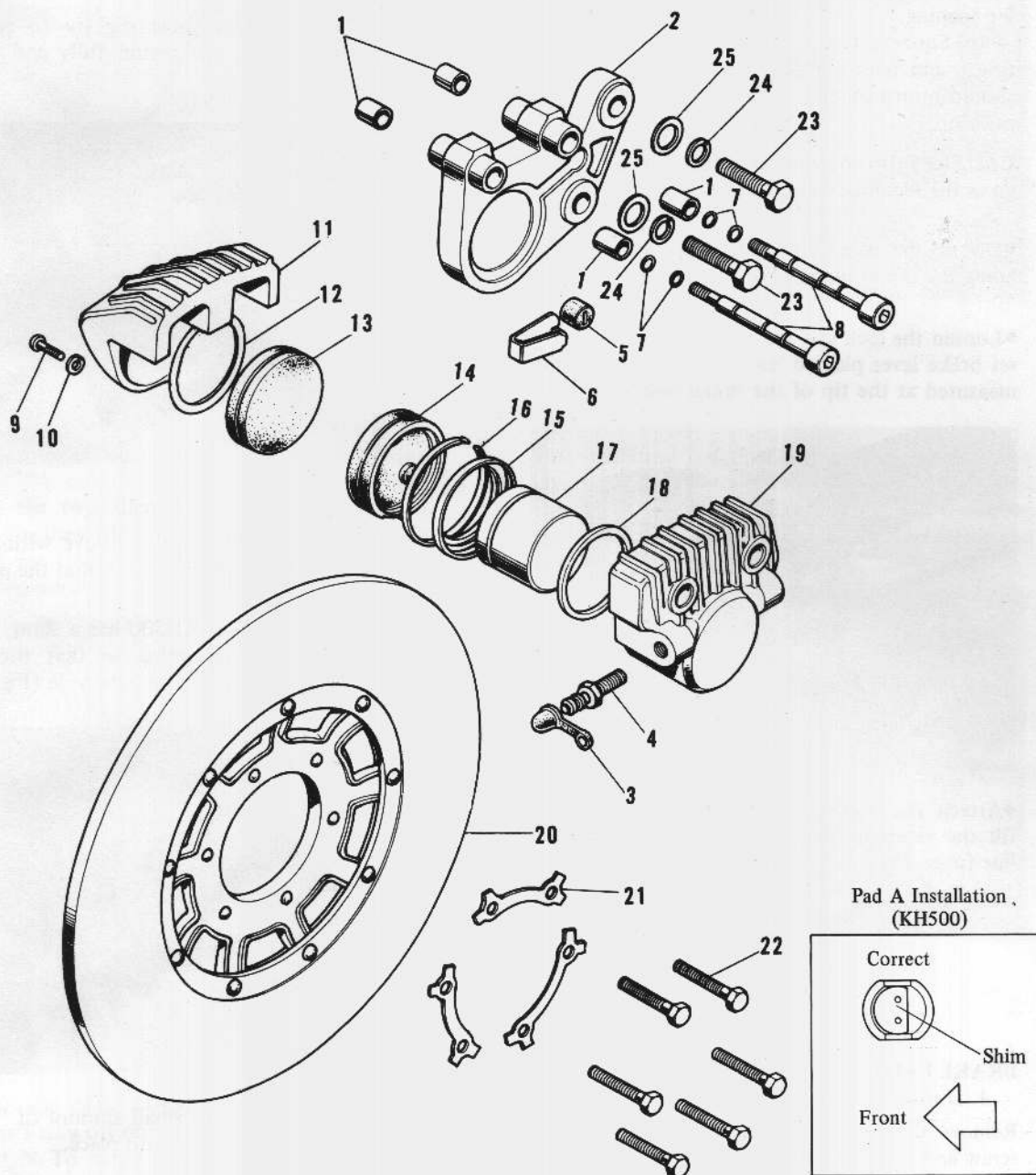


Disc and Caliper assembly

282 a

282 b

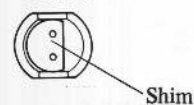


- 1 Dust seal
- 2 Caliper mounting
- 3 Bleeder valve cap
- 4 Bleeder valve
- 5 Bushing
- 6 Stopper
- 7 O ring
- 8 Shaft
- 9 Screw
- 10 Lock washer
- 11 Caliper B
- 12 Ring
- 13 Pad B

- 14 Pad A
- 15 Dust seal
- 16 Band
- 17 Piston
- 18 Ring
- 19 Caliper A
- 20 Disc
- 21 Lock washer
- 22 Bolt
- 23 Bolt
- 24 Lock washer
- 25 Washer

Pad A Installation,
(KH500)

Correct



Front

