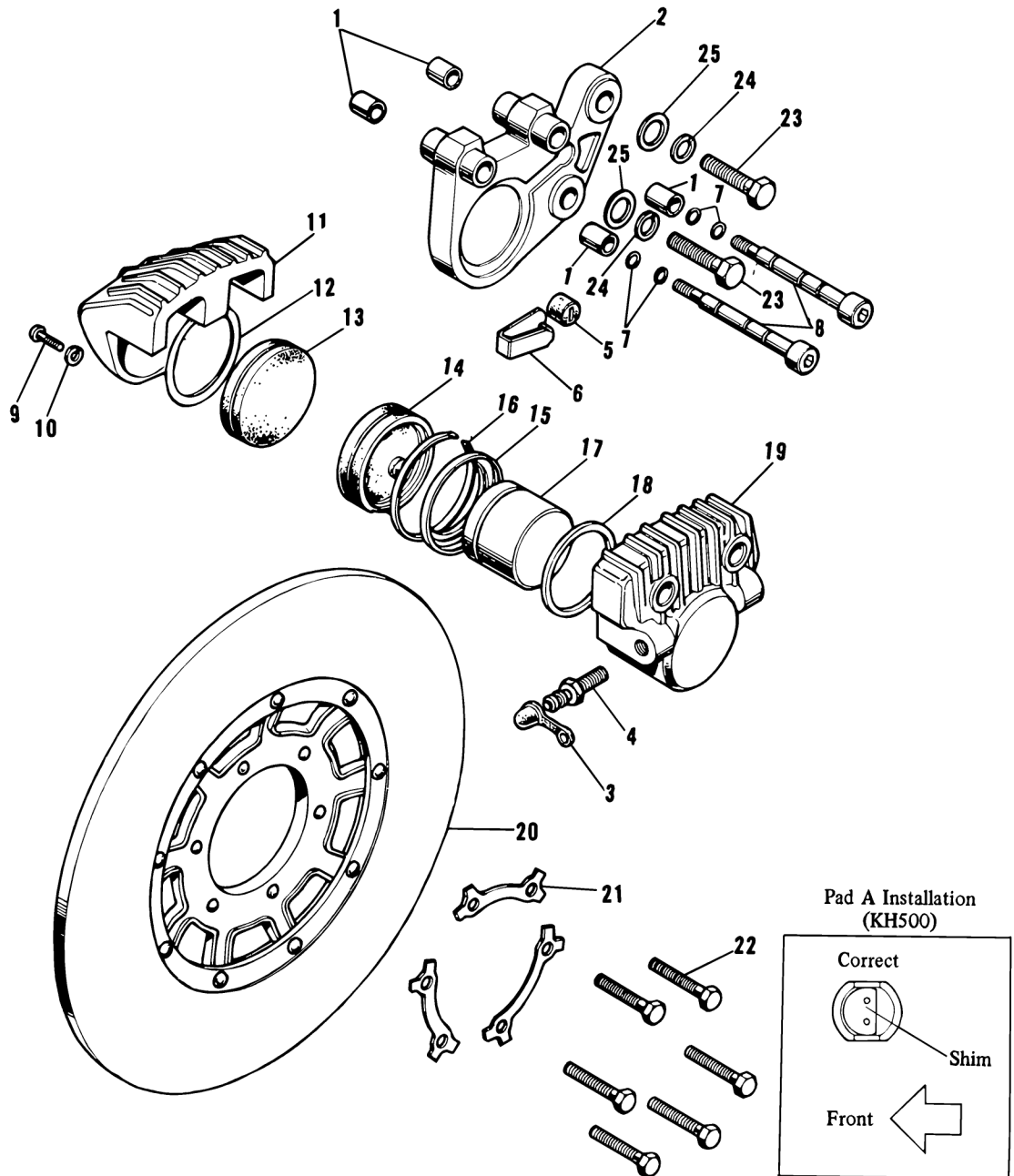


Disc and Caliper assembly

(282) b



- | | | | |
|----|-------------------|----|-------------|
| 1 | Dust seal | 14 | Pad A |
| 2 | Caliper mounting | 15 | Dust seal |
| 3 | Bleeder valve cap | 16 | Band |
| 4 | Bleeder valve | 17 | Piston |
| 5 | Bushing | 18 | Ring |
| 6 | Stopper | 19 | Caliper A |
| 7 | O ring | 20 | Disc |
| 8 | Shaft | 21 | Lock washer |
| 9 | Screw | 22 | Bolt |
| 10 | Lock washer | 23 | Bolt |
| 11 | Caliper B | 24 | Lock washer |
| 12 | Ring | 25 | Washer |
| 13 | Pad B | | |