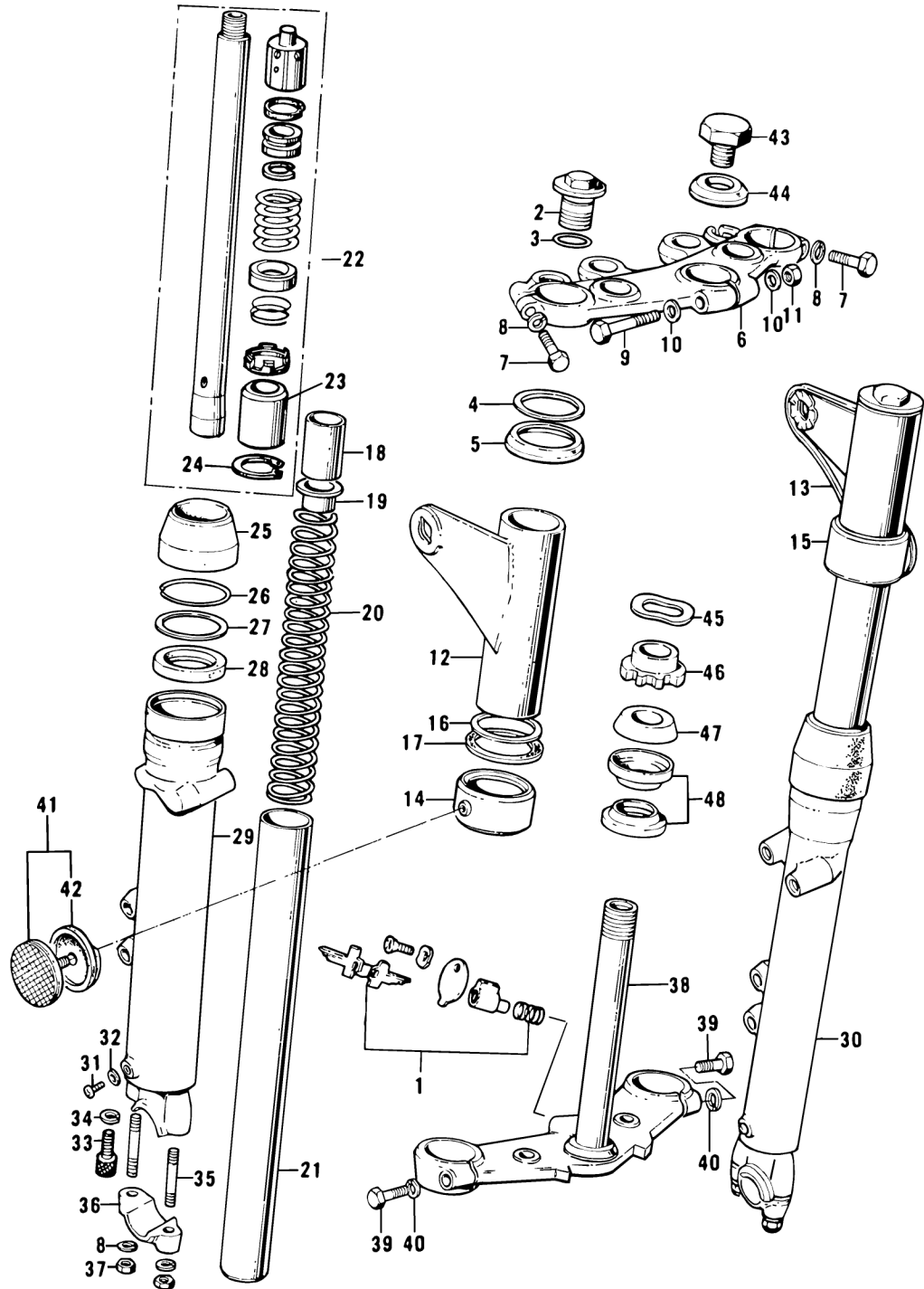


Front Fork



- | | | | |
|-------------------------|-----------------------|-----------------|--------------------|
| 1. Lock Ass'y | 13. Headlight Stay | 25. Dust Seal | 37. Nut |
| 2. Top Bolt | 14. Stay Guide | 26. Circlip | 38. Steering Stem |
| 3. O Ring | 15. Stay Guide | 27. Washer | 39. Clamp Bolt |
| 4. Gasket | 16. Washer | 28. Oil Seal | 40. Lock Washer |
| 5. Washer | 17. Gasket | 29. Outer Tube | 41. Reflector |
| 6. Stem Head | 18. Spacer | 30. Outer Tube | 42. Dumper Rubber |
| 7. Clamp Bolt | 19. Spring Guide | 31. Drain Plug | 43. Stem Head Bolt |
| 8. Lock Washer | 20. Spring | 32. Gasket | 44. Washer |
| 9. Stem Head Clamp Bolt | 21. Inner Tube | 33. Allen Bolt | 45. Washer |
| 10. Lock Washer | 22. Cylinder Assembly | 34. Lock Washer | 46. Stem Lock Nut |
| 11. Nut | 23. Piston | 35. Stud | 47. Stem Cap |
| 12. Headlight Stay | 24. Circlip | 36. Axle | 48. Bearing Race |