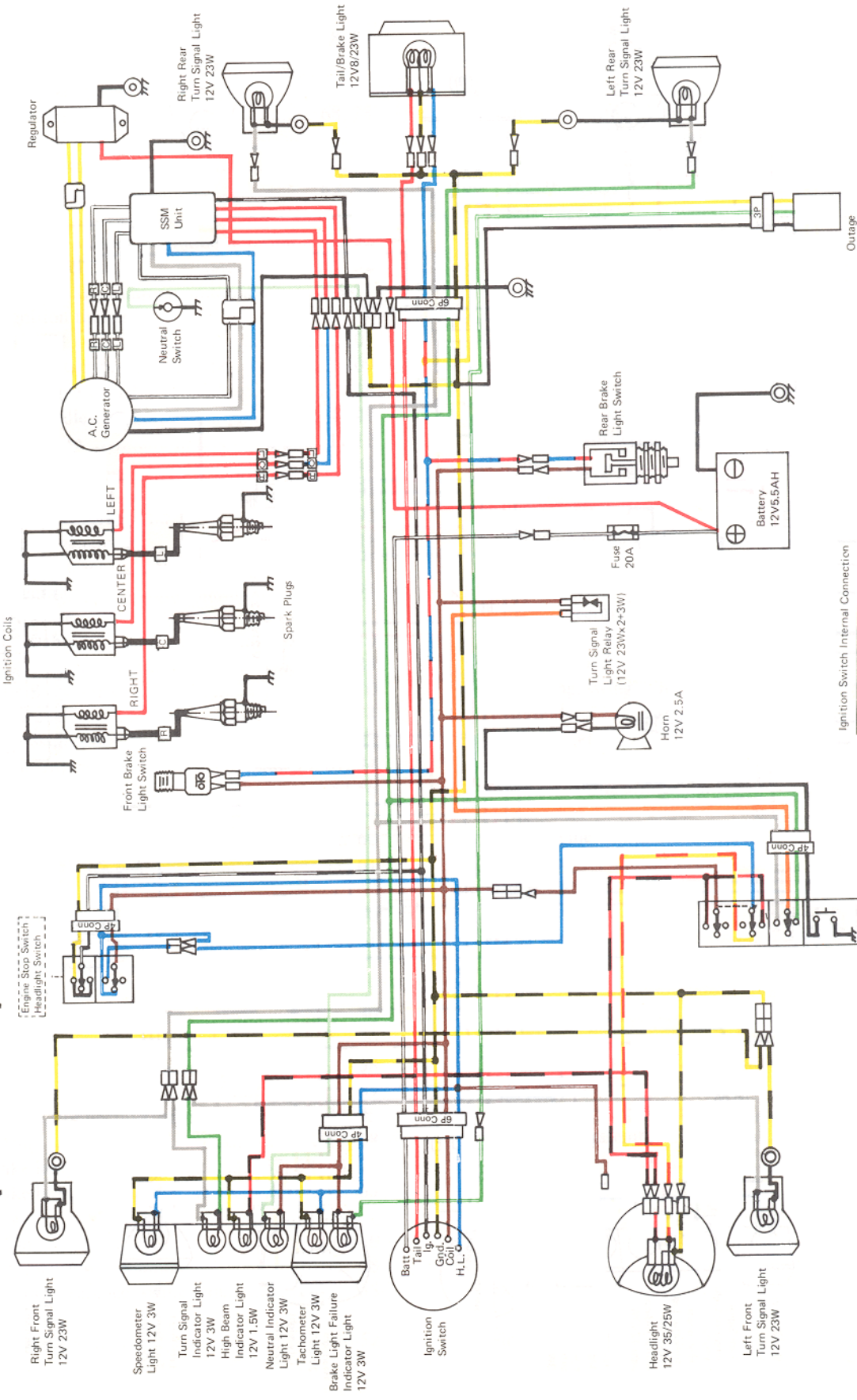


H2-B Wiring Diagram (US Model)



Ignition Switch Internal Connection

Lead	Ignition	Ground	H.L.	Tail	Battery	Coil
Color	Bk/W	Bk/Y	Bl	R/W	W	Br
OFF	●	●		●		
ON				●	●	
PARK		●				

(147-2)