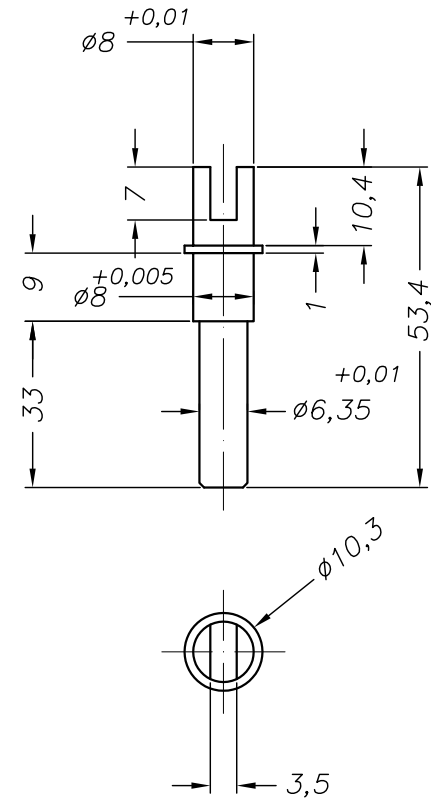


material: aluminum or steel



material 4340

bearing 608 2RS (2pcs.)
circlip for hole 22mm (1pc.)

bancada teste bomba de óleo
design: eng. Carlos A. Scorza - Brazil