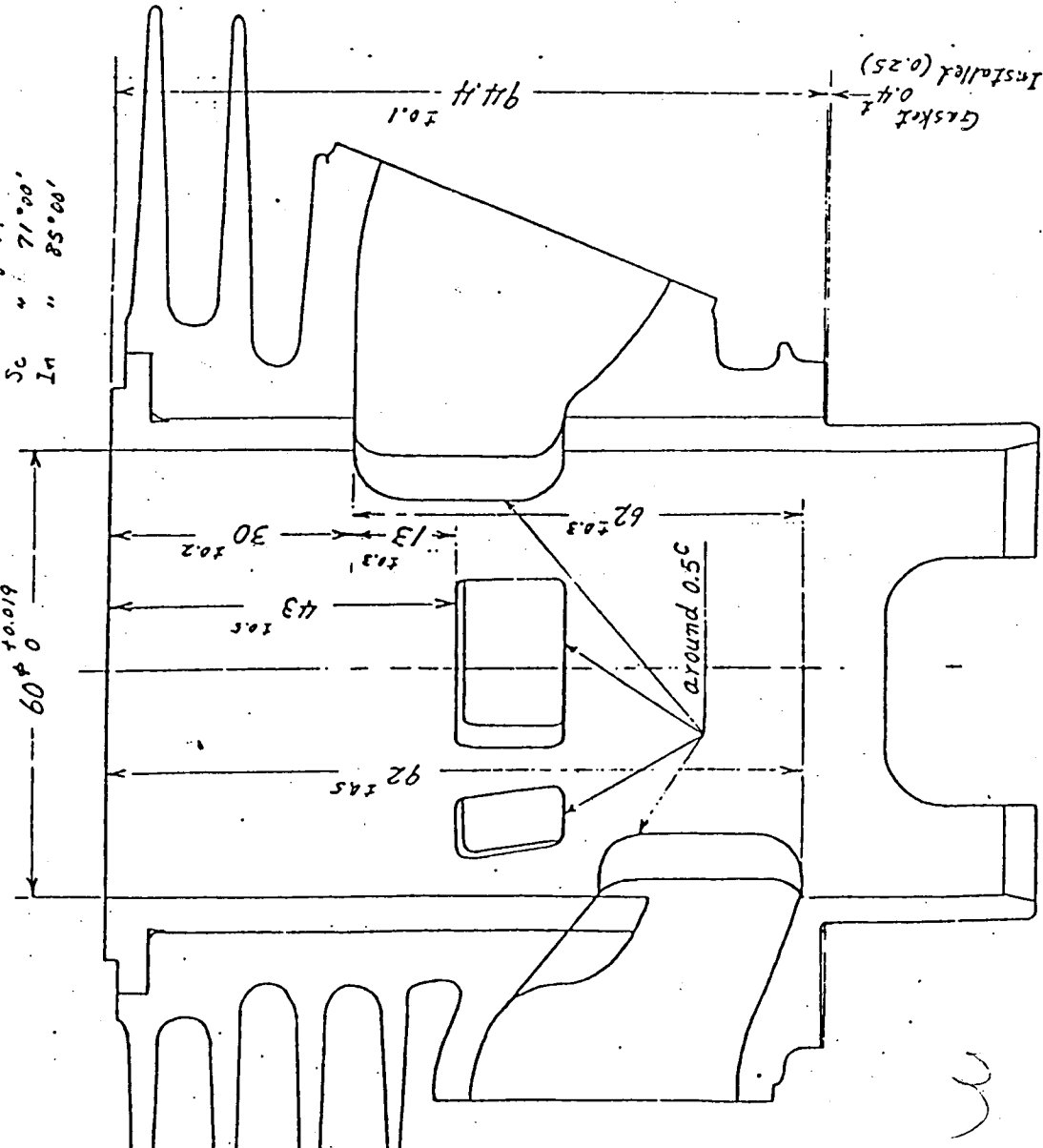


RAS Eng. Specification for G.P. Race

49.4.1 X.V.

① Cylinder

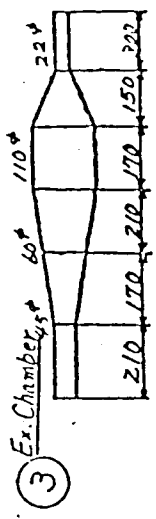
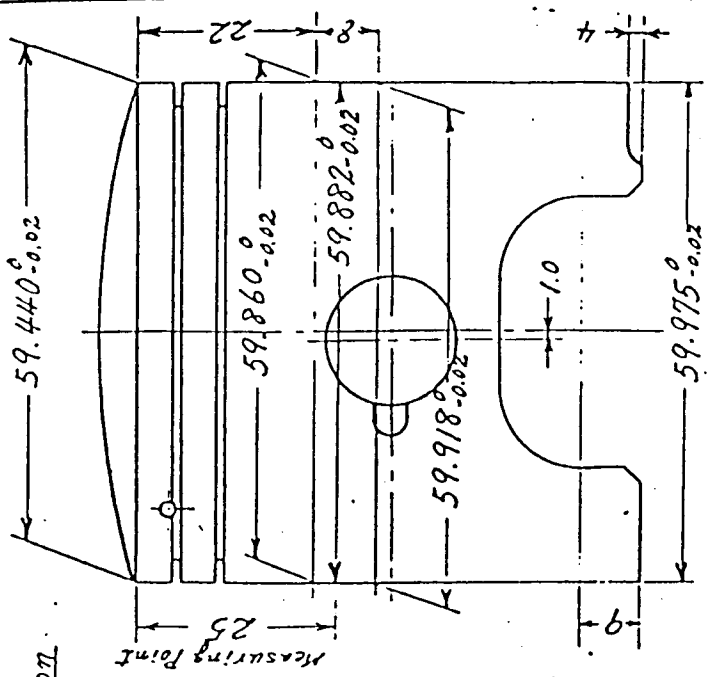
Note:
 Ex. Timing 17°00'
 Sc " 71°00'
 In " 85°00'



Remarks

- Width of Exhaust Port 45 ±0.3
- Width of Inlet Port 45 ±0.3
- Dimension "L" = 0.25

② Piston



④ Carburetor (VM35SC)

MI.	BI	MI	JX	CA	PJ	AS	PO	PP	GS	EL
320	20°	Q-5	6H1-3	3.0	60	1/2	1.8	3.75	80	34
(4%)										

⑤ Transmission Gear (Oil Capacity 1.6 L)

• Primary Reduction Ratio 2.41 (27/65)

• Gear Box: 6 Speed

⑥ Ignition Timing

B.T.D.C. 23° (3.00 7-)

⑦ Piston & Cylinder Clearance

⑧ Compression Ratio

6.7 ~ 7.0 (16.0 ~ 16.7 cc at Upper Edge)