



Model

750:H2-B

**Special Parts List
For European Market**

KAWASAKI HEAVY INDUSTRIES, LTD.

Motorcycle Division.

1-1, Kawasaki-cho, Akashi, Hyogo Pref. Japan

Printed No. 99997-626-01 ©

30. January 1974

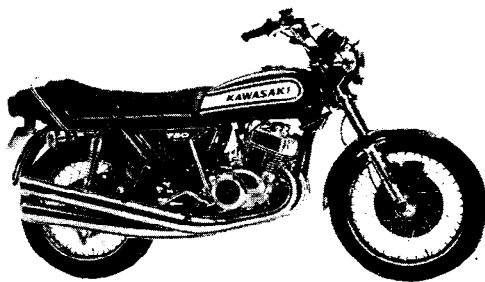
Kawasaki

750-H2-B

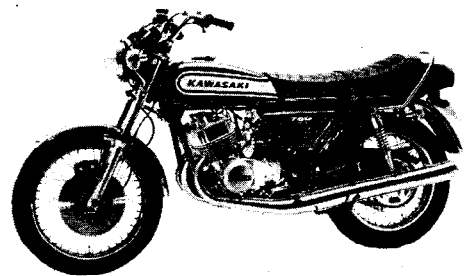
Special Parts List

INDEX

9.	Electrical Equipments for Engine	1
13.	Frame Used in WEST GERMANY	1
14.	Swinging Arm, Rear Shock Absorbers	3
16.	Handlebar, Grips	3
18.	Fenders	5
20.	Disc Brake Equipments A	5
26.	Dual Seat	7
29.	Electrical Equipments A	7
29-1.	Electrical Equipments A Used in WEST GERMANY TYPE	9
29-2.	Electrical Equipments B Used in FRANCE TYPE	9
30.	Electrical Equipments B	11
	Numerical Parts Index	14

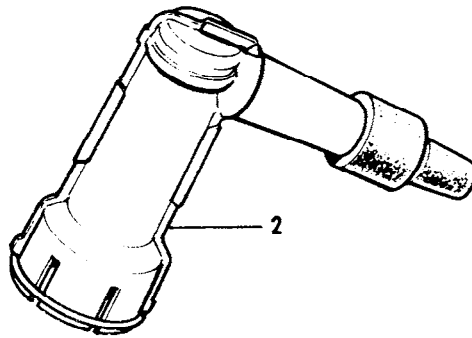


Right Side View



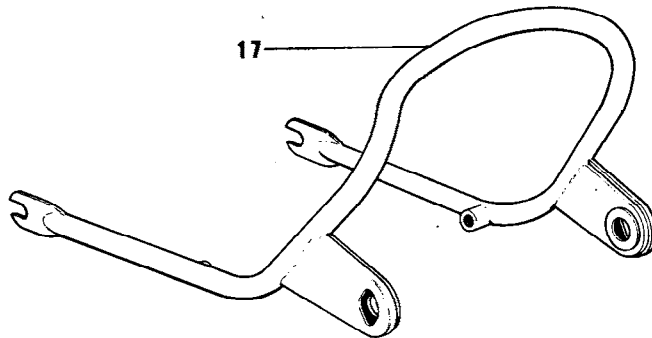
Left Side View

9. Electrical Equipments for Engine



13. Frame

Used in WEST GERMANY



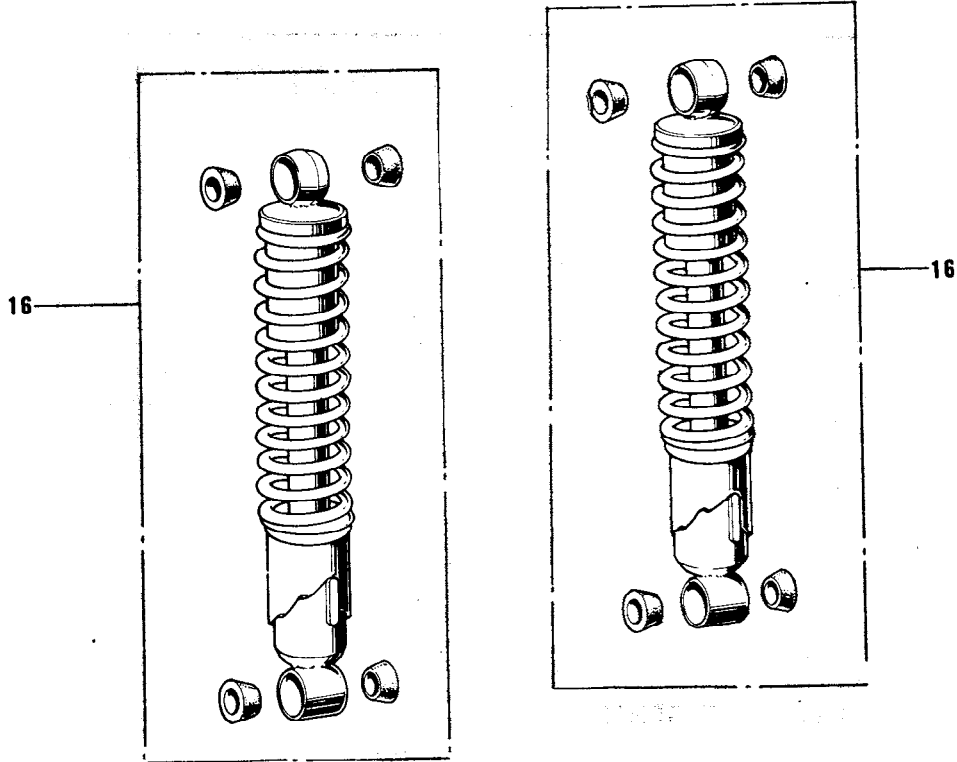
9. Electrical Equipments for Engine

Ref. No.	Part No.	Part Name	Quantity	Remarks
2	21130-023	CAP, spark plug	3	

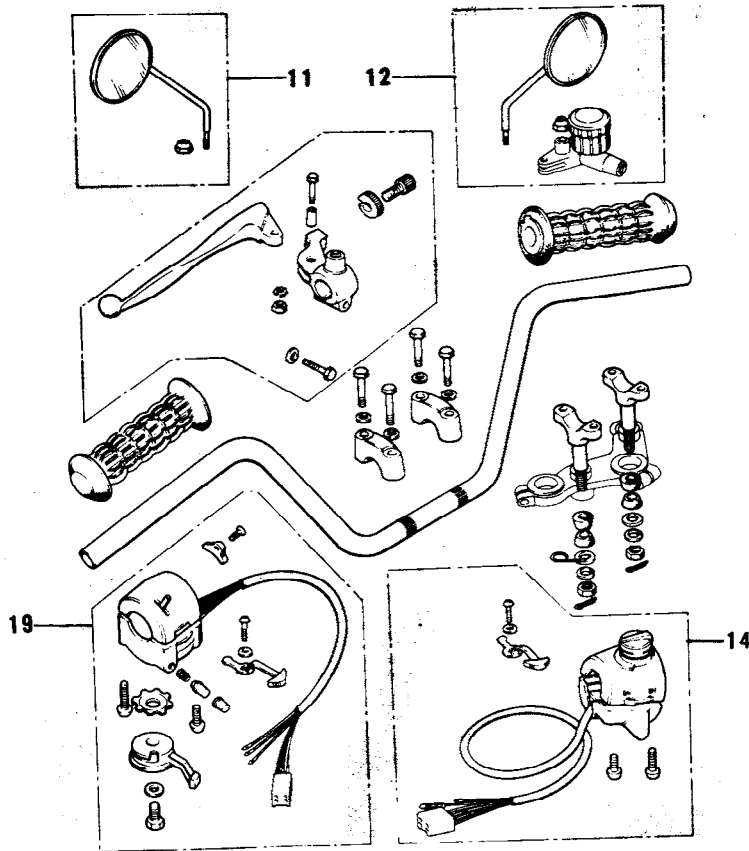
13. Frame Used in WEST GERMANY

Ref. No.	Part No.	Part Name	Quantity	Remarks
17	35032-032	STAY, rear fender	1	

14. Swinging Arm, Rear Shock Absorbers



16. Handlebar, Grips



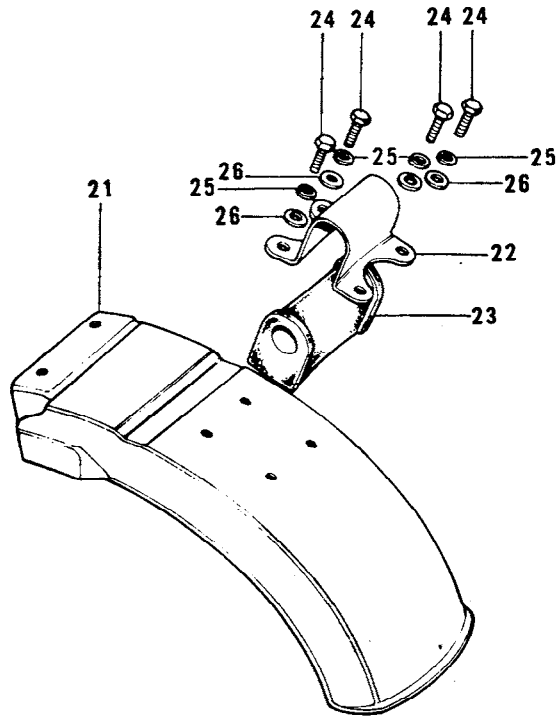
14. Swinging Arm, Rear Shock Absorbers

Ref. No.	Part No.	Part Name	Quantity	Remarks
16	45014-102	SHOCK ABSORBER, rear	2	

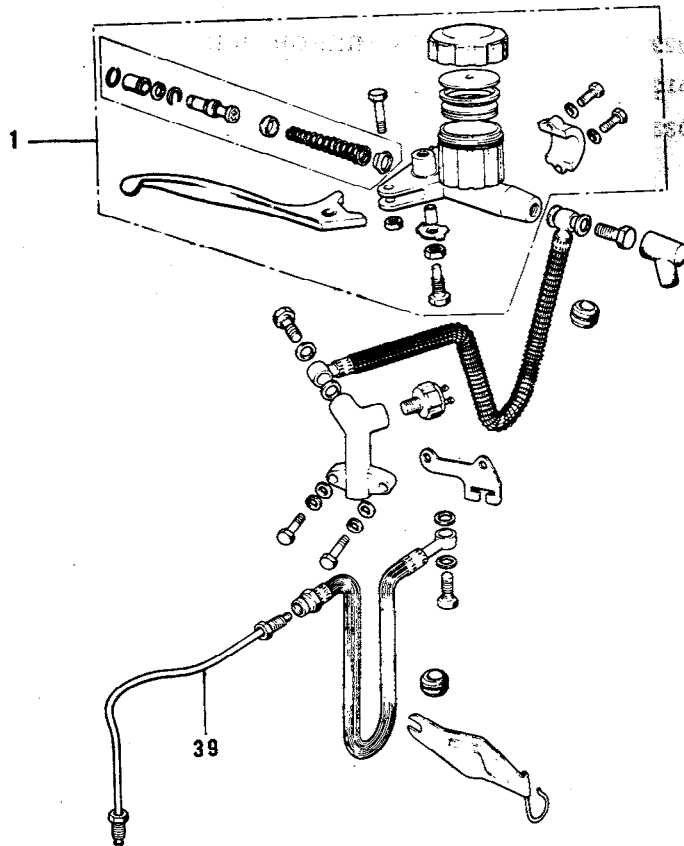
16. Handlebar, Grips

Ref. No.	Part No.	Part Name	Quantity	Remarks
11	56003-014	REAR VIEW MIRROR, L.H.	1	Use for France Spec
12	56002-022	REAR VIEW MIRROR, R.H.	1	Use for France Spec
14	46132-012	CASE ASSY, R.H.	1	
19	46091-033	CASE ASSY, L.H.	1	

18. Fenders



20. Disc Brake Equipments A



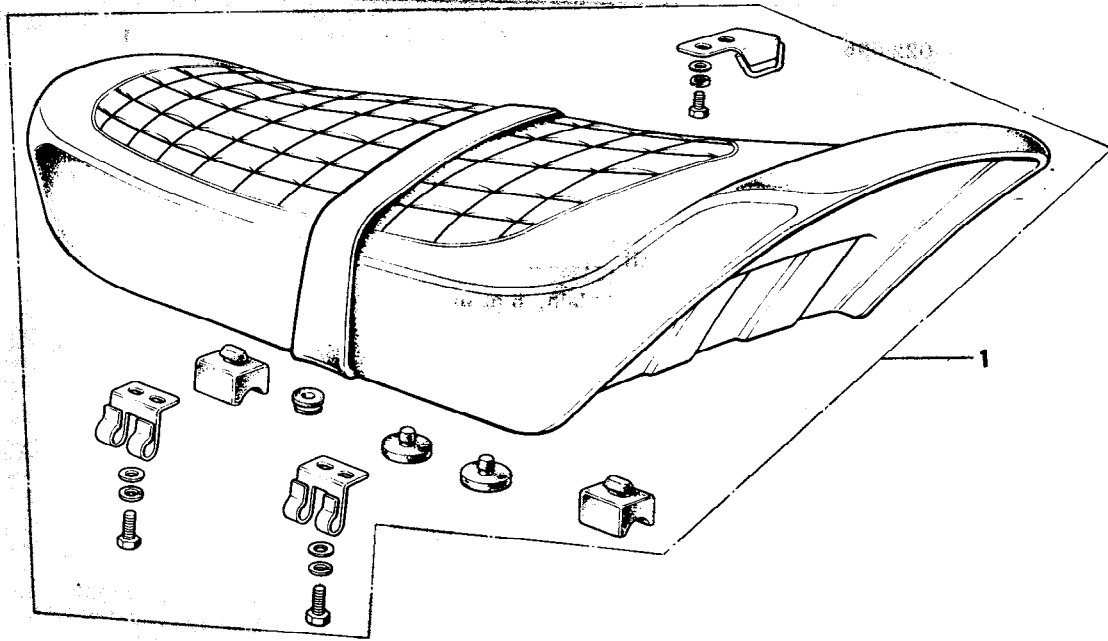
18. Fenders

Ref. No.	Part No.	Part Name	Quantity	Remarks
21	35022-096	FENDER, rear	1	
22	35026-009	BRACKET, rear fender	1	
23	92075-211	DAMPER RUBBER, rear fender	1	
24	110B0612	BOLT, 6 x 12	4	
	116B0612	BOLT, 6 x 12	ALT	
25	461F0600	WASHER, spring, 6 m/m	4	
26	411B0600	WASHER, plain, 6 m/m	4	

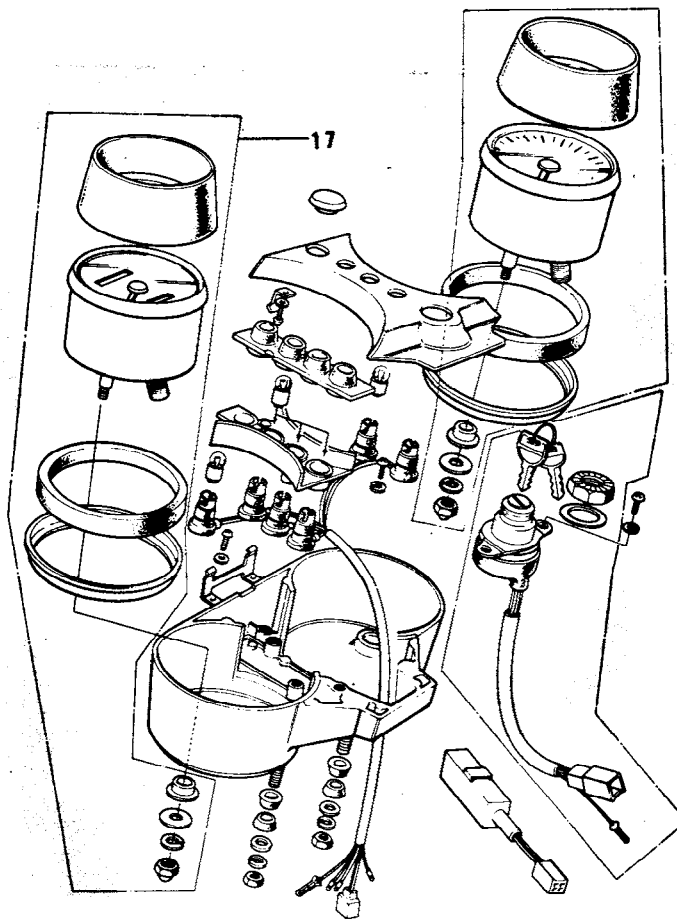
20. Disc Brake Equipments A

Ref. No.	Part No.	Part Name	Quantity	Remarks
1	43015-009	CYLINDER ASSY, master	1	
39	43060-007	PIPE, bridge	1	

26. Dual seat



29. Electrical Equipments A



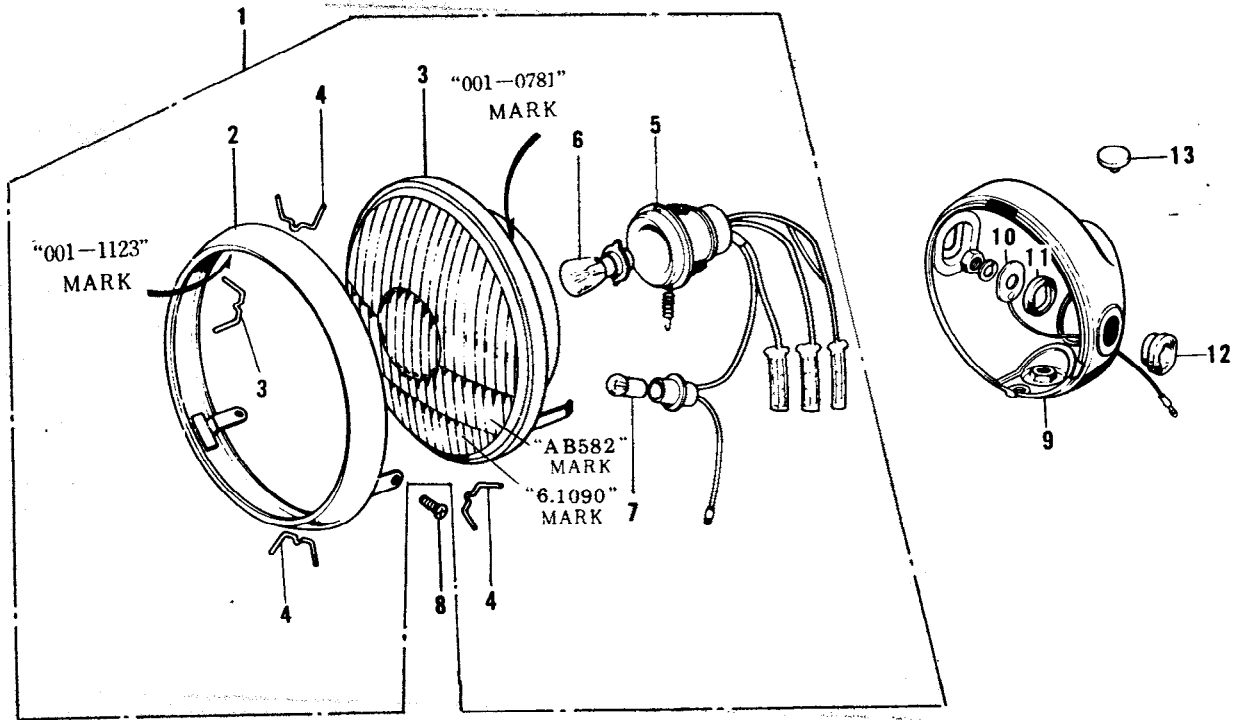
26. Dual Seat

Ref. No.	Part No.	Part Name	Quantity	Remarks
1	53001-095	SEAT ASSY, dual	1	

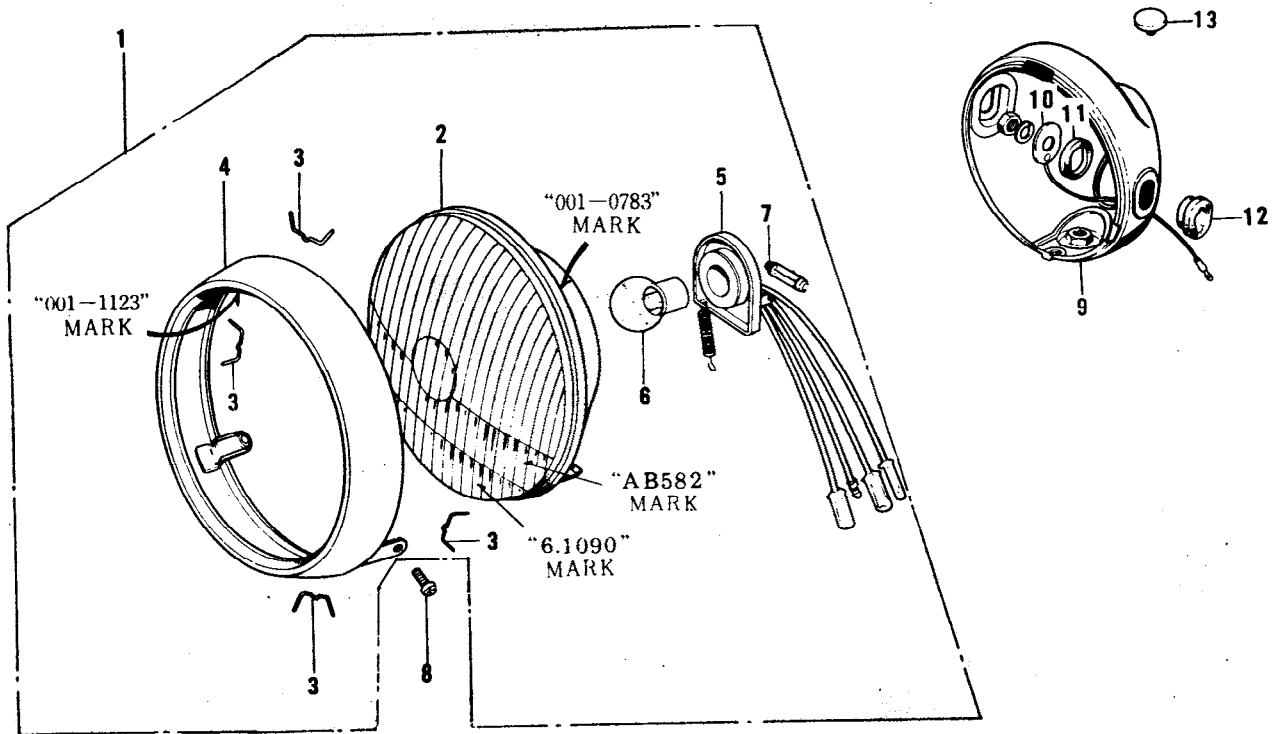
29. Electrical Equipments A

Ref. No.	Part No.	Part Name	Quantity	Remarks
17	25005-111	SPEEDOMETER ASSY, KPH	1	

29-1. Electrical Equipments A Used in WEST GERMANY TYPE



29-2. Electrical Equipments B Used in FRANCE TYPE



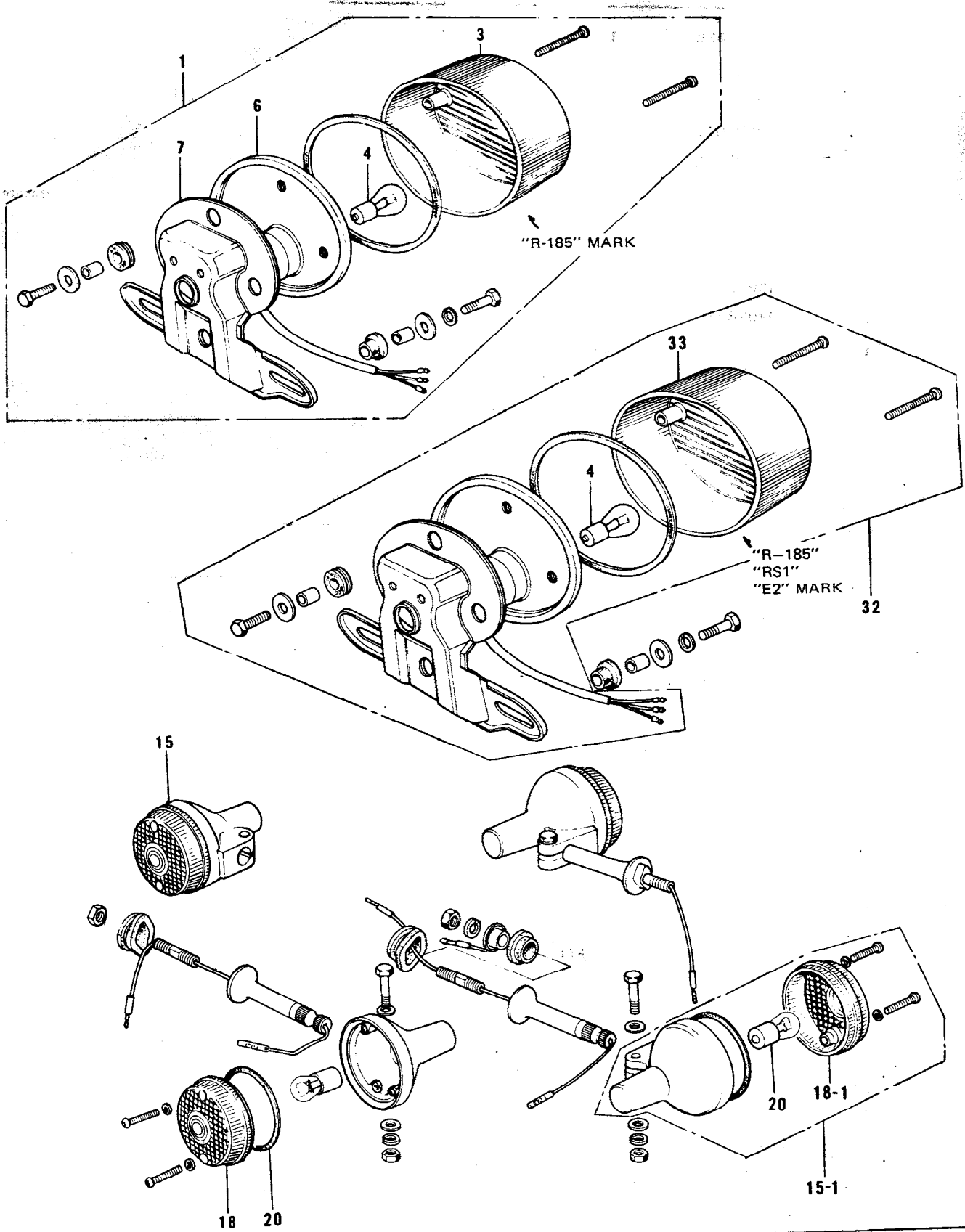
29-1. Electrical Equipments A Used in WEST GERMANY TYPE

Ref. No.	Part No.	Part Name	Quantity	Remarks
1	23004-052	LAMP UNIT, head	1	
2	23006-031	RIM, head lamp	1	
3	23007-035	LENS UNIT, head lamp	1	
4	23009-012	CLAMP, lens unit	4	
5	23008-032	SOCKET, head lamp	1	
6		BULB, 12V-35/35W	1	} Local Procurement Item
7		BULB, 12V-4W	1	
8	23019-022	SCREW, lens unit fitting	2	
9	23005-037-21	BODY, head lamp	1	Flat Black
10	23076-005	COLLAR	2	
11	23066-005	DAMPER RUBBER	2	
12	23066-001	DAMPER RUBBER	2	
13	92074-006	PLUG, head lamp body	1	

29-2. Electrical Equipments B Used in FRANCE TYPE

Ref. No.	Part No.	Part Name	Quantity	Remarks
1	23004-053	LAMP UNIT, head	1	
2	23007-038	LENS UNIT, head lamp	1	
3	23009-012	CLAMP, lens unit	4	
4	23006-031	RIM, head lamp	1	
5	23008-034	SOCKET, head lamp	1	
6		BULB, 12V-36/36W	1	
7		BULB, 12V-4W	1	
8	23019-022	SCREW, lens unit fitting	2	
9	23005-037-21	BODY, head lamp	1	Flat Black
10	23076-005	COLLAR	2	
11	23066-005	DAMPER RUBBER	2	
12	23066-001	DAMPER RUBBER	2	
13	92074-006	PLUG, head lamp body	1	

30. Electrical Equipments B



30. Electrical Equipments B

Ref. No.	Part No.	Part Name	Quantity	Remarks
1	23024-030-21	LAMP ASSY, tail	1	Flat Black
3	23026-027	LENS, tail lamp	1	
4		BULB, 12V-21/5W	1	Local Procurement Item
6	23027-036	CASE, tail lamp	1	
7	23036-027-21	BRACKET, license plate	1	Flat Black
15	23040-047	LIGHT ASSY, turn signal	2	Front
15-1	23040-048	LIGHT ASSY, turn signal	2	Rear
18	23048-012	LENS, turn signal light	2	Front
18-1	23048-015	LENS, turn signal light	2	Rear
20		BULB, 12V-21W	4	Local Procurement Item
32	23024-054-21	LIGHT ASSY, tail, Flat Black	1	} Use for Italy Spec
33	23026-029	LENS, tail light	1	

Numerical Parts Index

* : Indicates the Newly developed parts for Kawasaki 750 Model H2-B.

Part No.	Page	Q'ty	Part No.	Page	Q'ty
110B0612	6	4			
116B0612	6	ALT			
21130-023	2	3			
23004-052	10	1			
23005-037-21	10	1			
23005-037-21	10	1			
23006-031	10	1			
23006-031	10	1			
23007-035	10	1			
23007-038	10	1			
23008-032	10	1			
23008-034	10	1			
23009-012	10	4			
23009-012	10	4			
23019-022	10	2			
23019-022	10	2			
23024-030-21	12	1			
23024-054-21	12	1			
23026-027	12	1			
23026-029	12	1			
23027-036	12	1			
23036-027-21	12	1			
23040-047	12	2			
23040-047	12	2			
23048-012	12	2			
23048-015	12	2			
23066-001	10	2			
23066-005	10	2			
23066-005	10	2			
23076-005	10	2			
23076-005	10	2			
25005-111	8	1			
*35022-096	6	1			
*35026-009	6	1			
*35032-032	2	1			
411B0600	6	4			
43015-009	6	1			
43060-007	6	1			
*45014-102	4	2			
46091-033	4	1			
461F0600	6	4			
46132-012	4	1			
53001-095	8	1			
56002-022	4	1			
56003-014	4	1			
92074-006	10	1			
*92075-211	6	1			